



# Catalogue Pièces Détachées



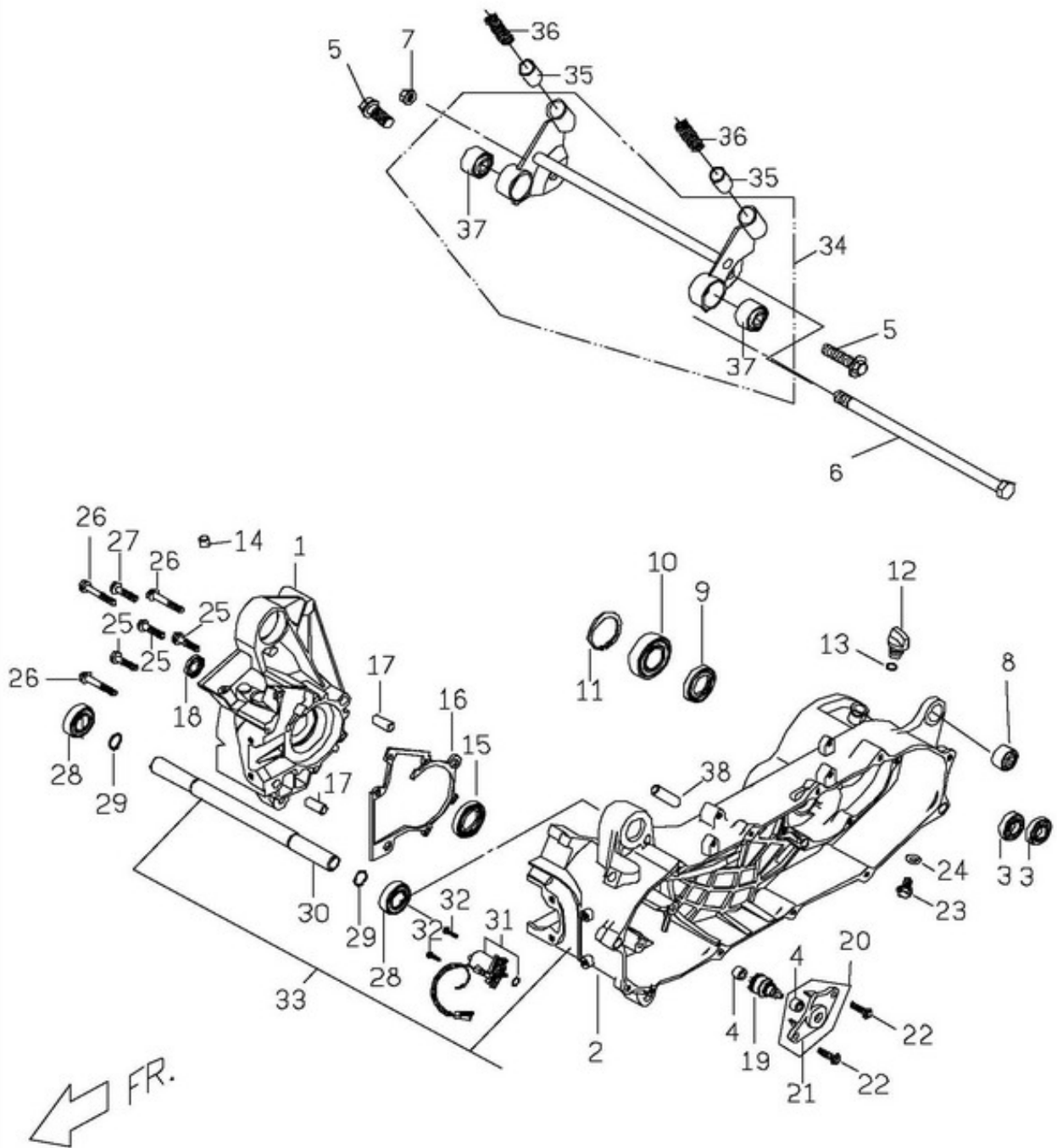
**BUG RIDER 50 et 150**

Edition Novembre 2006 en Anglais

Sous Réserves de Modifications

By 

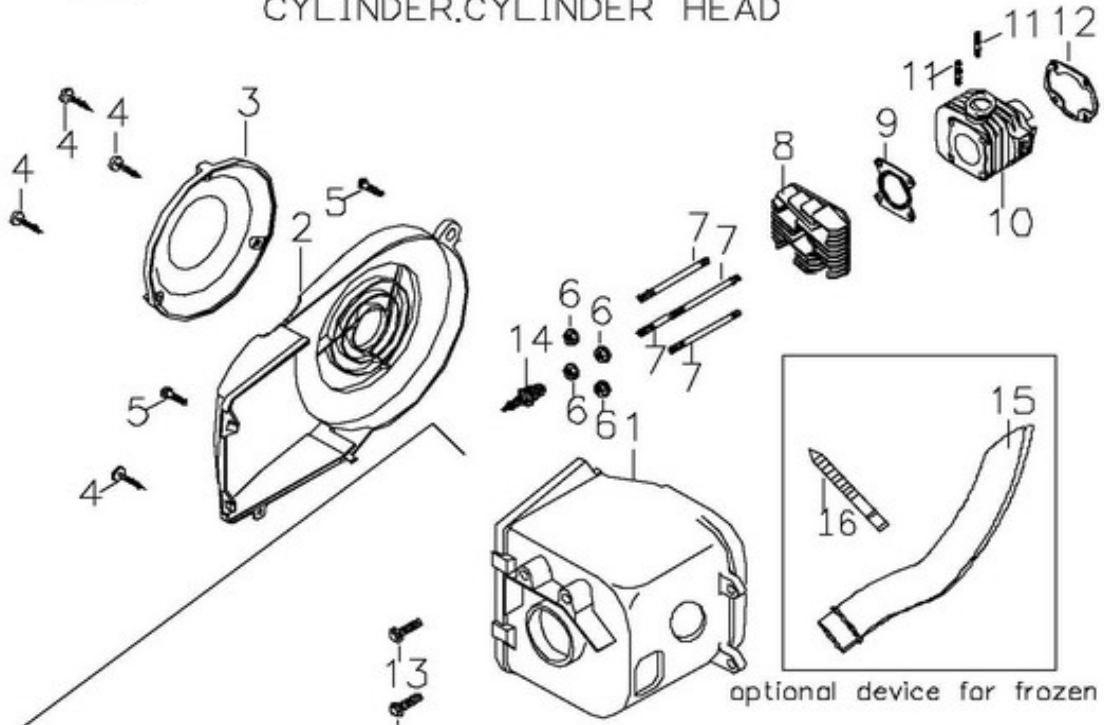
E1 曲軸箱,機油泵  
CRANKCASE.OIL PUMP



**E1. CRANKCASE BR 50**

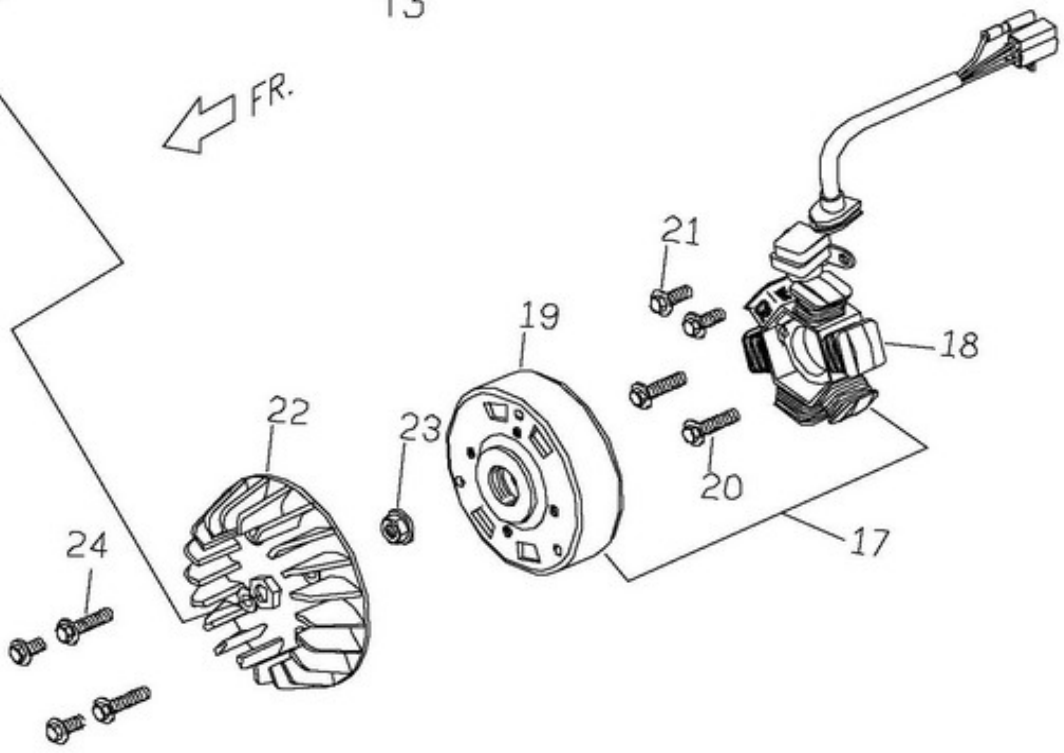
N°	REF	Q	DESIGNATION	NOTA BENE
1	P5061010000	1	RH. CRANKCASE	
2	P5062010000	1	LH. CRANKCASE	W/H SAI SYSTEM
3	96510620000	2	BALL BEARING	
4	NA	2	BUSH	NON FOURNI
5	P1486010000	2	BOLT	
6	90021225000	1	HEXAGON BOLT	
7	92061200001	1	U TYPE FLANGE NUT(M12*1.25P)	
8	P1062020000	1	RUBBER BUSH	
9	95572540700	1	OIL SEAL TC TYPE	
10	96530620400	1	BALL BEARING DOUBLE SEALED	
11	92164700000	1	RETAINING RING C TYPE	
12	P1062150000	1	OIL BOLT	
13	95511400000	1	O RING	
14	E1061030000	1	OIL PUMP BUSH	
15	95572038700	1	OIL SEAL TC TYPE	
16	P1061041000	1	CRANKCASE GASKET	
17	93541002300	2	LOCK PIN	
18	95571525700	1	OIL SEAL TC TYPE	
19	E1242000000	1	IDLE GEAR COMP., STARTER	
20	P1242111000	1	HOLDER COMP, STARTER CLUTCH	
21	NA	1	FIXING PLATE	NON FOURNI
22	90180602000	2	HEXAGON FLANGE BOLT ( M6*20L )	
23	90190801200	1	HEXAGON FLANGE BOLT (M8*12L)	
24	92140800001	1	PLAIN WASHER	
25	90190604500	3	HEXAGON FLANGE BOLT( M6*45 )	
26	90190606000	3	HEXAGON FLANGE BOLT	
27	90190602700	1	HEXAGON FLANGE BOLT (M6*27L)	
28	96530600300	2	BALL BEARING DOUBLE SEALED ( 6003 )	
29	92171700000	2	RETAINING RING C TYPE	
30	P5486020000	1	ENGINE HANGER SHAFT	
31	E1241001000	1	MOTOR COMP., STARTER	
32	90210602000	2	HEXAGON FLANGE BOLT	
33	P506K010000	1	R/L CRANKCASE COMP.	W/H SAI SYSTEM
34	P5486000000	1	ENGINE HANGER JOINT COMP	
35	E1486040000	2	RUBBER, DAMPER	
36	P5486050000	2	COMPRESSION SPRING	
<b>37</b>	<b>C1486010000</b>	<b>2</b>	<b>BUSH</b>	
38	P0286330000	1	AIR GUIDE TUBE	

E2. FAN COVER, COOLING COWL  
CYLINDER, CYLINDER HEAD



optional device for frozen area

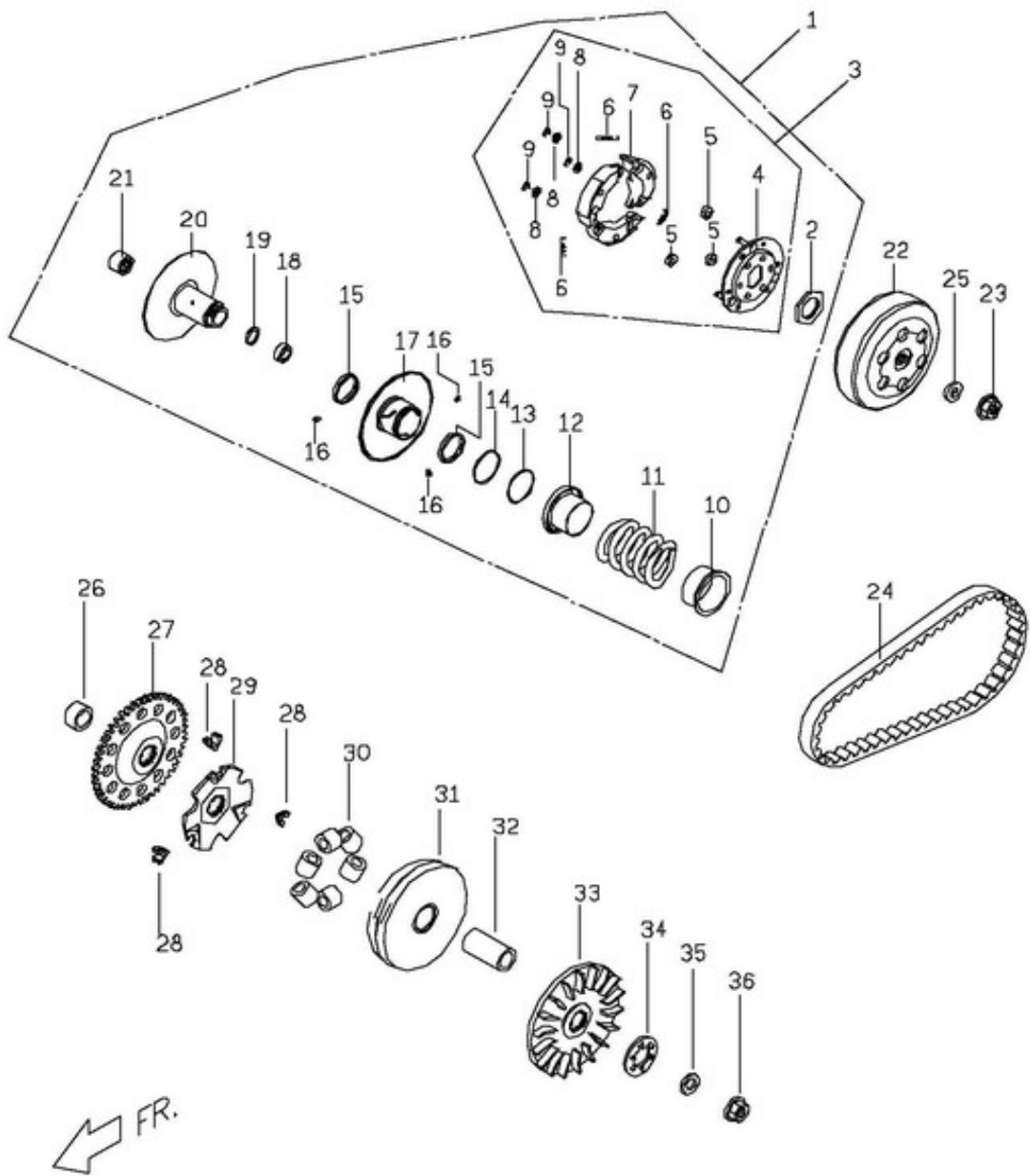
FR.



**E2. CYLINDER BR 50**

N°	REF	Q	DESIGNATION	NOTA BENE
1	P10421000001	1	COOLING COWL	
2	P1042001000	1	FAN COVER	
3	E1042200000	1	FAN COVER	
4	90110401200	4	CR PAN HD. TAPPING SCREW( M4*16L )	
5	90180602000	2	HEXAGON FLANGE BOLT ( M6*20L )	
6	92040700000	4	HEXAGON FLANGE NUT	
7	P1061050000	4	STUD BOLT	
8	P1065010000	1	CYLINDER HEAD	
9	P1065110000	1	GASKET, CYLINDER HEAD	
10	P1064010000	1	CYLINDER	
11	90170602602	2	STUD BOLT	
12	P1064111000	1	CYLINDER GASKET	
13	90190601201	2	HEXAGON FLANGE BOLT	
14	P12220000002	1	IGNITION PLUG	
15	P1042110000	1	AIR PIPE	
17	P12210010003	1	AC GENERATOR ASSY.	
18	P12210210003	1	FLYWHEEL COMP.	
19	P1221010000	1	FLYWHEEL COMP	
20	90180601800	2	HEXAGON FLANGE BOLT( M6*20L )	
21	90190601203	2	HEXAGON FLANGE BOLT	
22	P1043000000	1	FAN	
23	92041000001	1	HEXAGON FLANGE NUT	
24	90190601204	4	HEXAGON FLANGE BOLT(M6*1.0P*12L)	

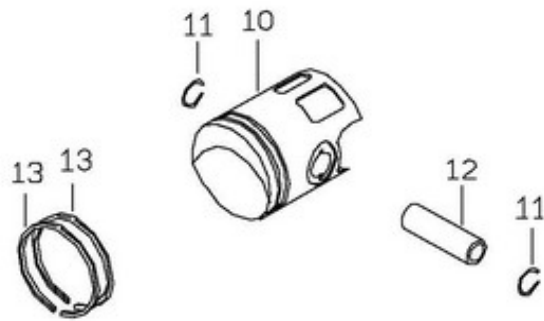
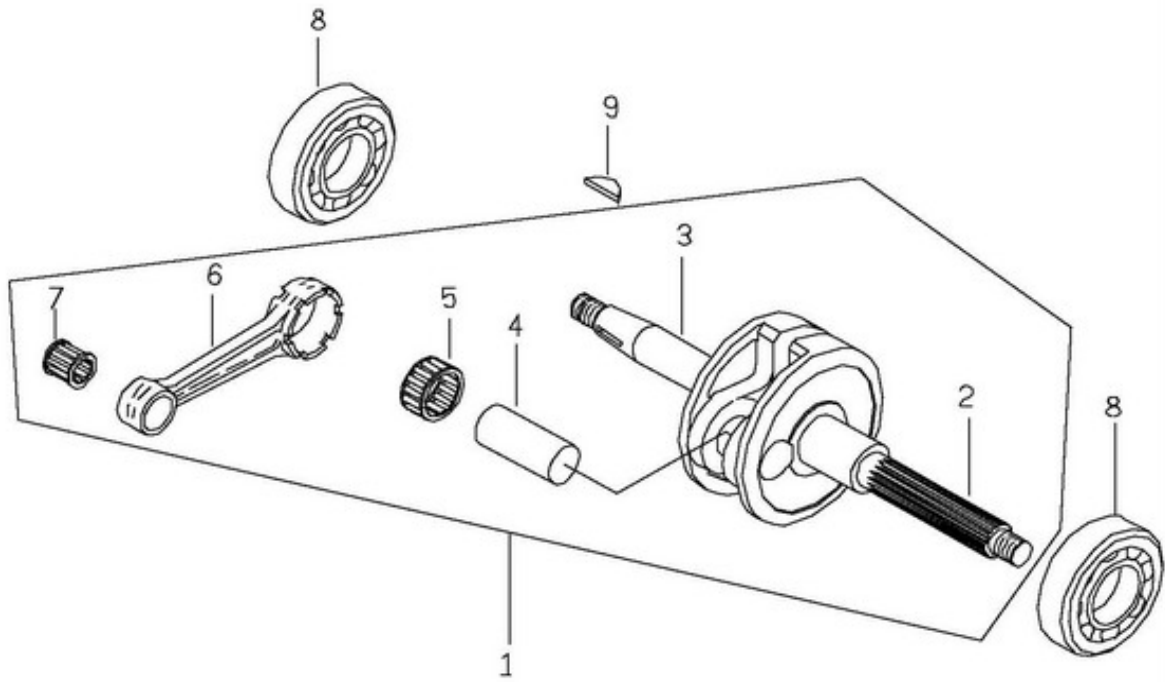
E3. DRIVING PULLEY



**E3. DRIVING PULLEY BR 50**

N°	REF	Q	DESIGNATION	NOTA BENE
1	P1123701000	1	BELT PULLEY COMP., DRIVEN FACE	
2	P1123410000	1	NUT	
3	P1123600000	1	DRIVE PLATE COMP	
4	P1123300000	1	BODY COMP., CLUTCH PLATE	
5	P1123420000	3	DAMPER RUBBER, CLUTCH	
6	P1123430000	3	CLUTCH SPRING	
7	P1123441000	3	CLUTCH WEIGHT (3 in 1 set)	
8	92140600008	3	PLAIN WASHER	
9	92180500000	3	RETAINING RING E TYPE	
10	P1123330000	1	COLLAR SPRING	
11	P1123520000	1	SPRING, DRIVEN FACE	
12	P1123530000	1	SOCKET, SEAL	
13	95513600000	1	O RING	
14	95514000001	1	O RING	
15	95593439300	2	OIL SEAL G TYPE	
16	P1123240000	3	PIN, GUIDE ROLLER	
17	P1123210000	1	BODT COMP., MOVABLE DRIVEN FACE	
18	96520690100	1	DEEP GROOVE BALL BEAR ONE SEAL ( 24*12*6 )	
19	92162400000	1	RETAINING RING C TYPE	
20	P1123110000	1	BODY COMP., DRIVEN FACE	
21	E1123140000	1	NEEDLE BEARING	
22	P1123510000	1	OUTER BODY COMP., CLUTCH	
23	92041000001	1	HEXAGON FLANGE NUT	
24	NE122000000	1	BELT	
25	92141000001	1	PLAIN WASHER	
26	P5242210000	1	SPACER	
27	P1242200000	1	DRIVEN GEAR, STARTER	
28	P1121320000	3	SLIDE PIECE	
29	P1121310000	1	PLATE RAMP	
30	P1121200000	6	WEIGHT ROLLER COMP. (8.5G)	
31	P1121101000	1	DRIVING FACE COMP., MOVABLE	
32	P5121050000	1	BOSS, MOVABLE DRIVE FACE	
33	P1121060000	1	DRIVE FACE	
34	P1251030000	1	RATCHET KICK STARTER	
35	92141000001	1	PLAIN WASHER	
36	92041000001	1	HEXAGON FLANGE NUT	

E4 曲柄軸, 活塞  
CRANKSHAFT, PISTON

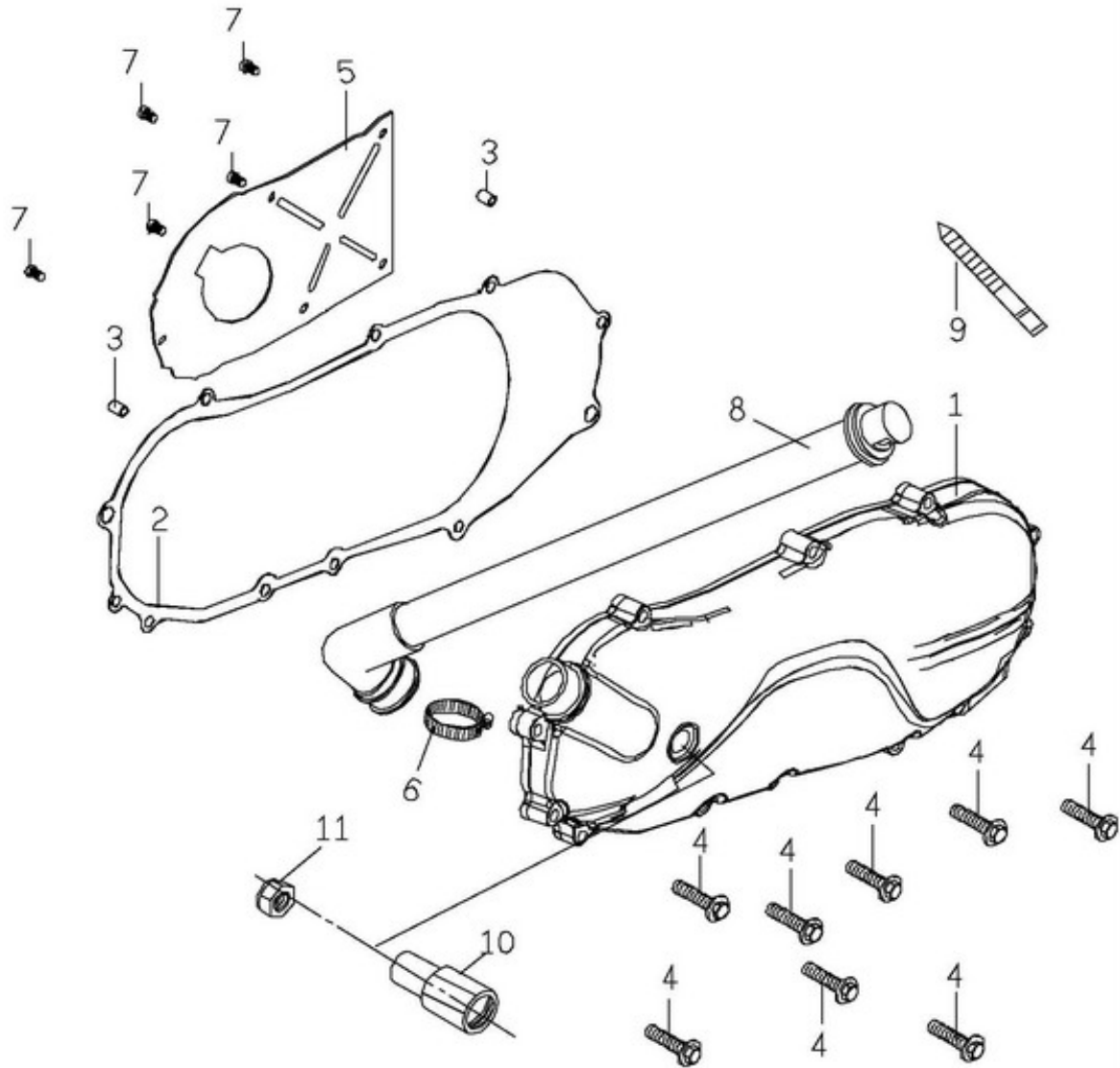




**E4. CRANKSHAFT BR 50**

N°	REF	Q	DESIGNATION	NOTA BENE
1	P1066000000	1	CRANKSHAFT COMP.	
2	NA	1	LH., CRANKSHAFT	NON FOURNI
3	NA	1	RH., CRANKSHAFT	NON FOURNI
4	P1066030000	1	CRANK PIN	
5	96590162200	1	BEARING CAGE	
6	P1066120000	1	CONNECTING ROD	
7	96600101400	1	BEARING CAGE	
8	E1062100000	2	BALL BEARING	
9	93530302400	1	WOODEUFF KEY	
10	P1067010000	1	PISTON	
11	E1067150000	2	CLIP, PISTON PIN	
12	P1067110000	1	PISTON PIN	
13	E10673100001	2	PISTON RING	

E5 左邊蓋  
LH. SIDE COVER

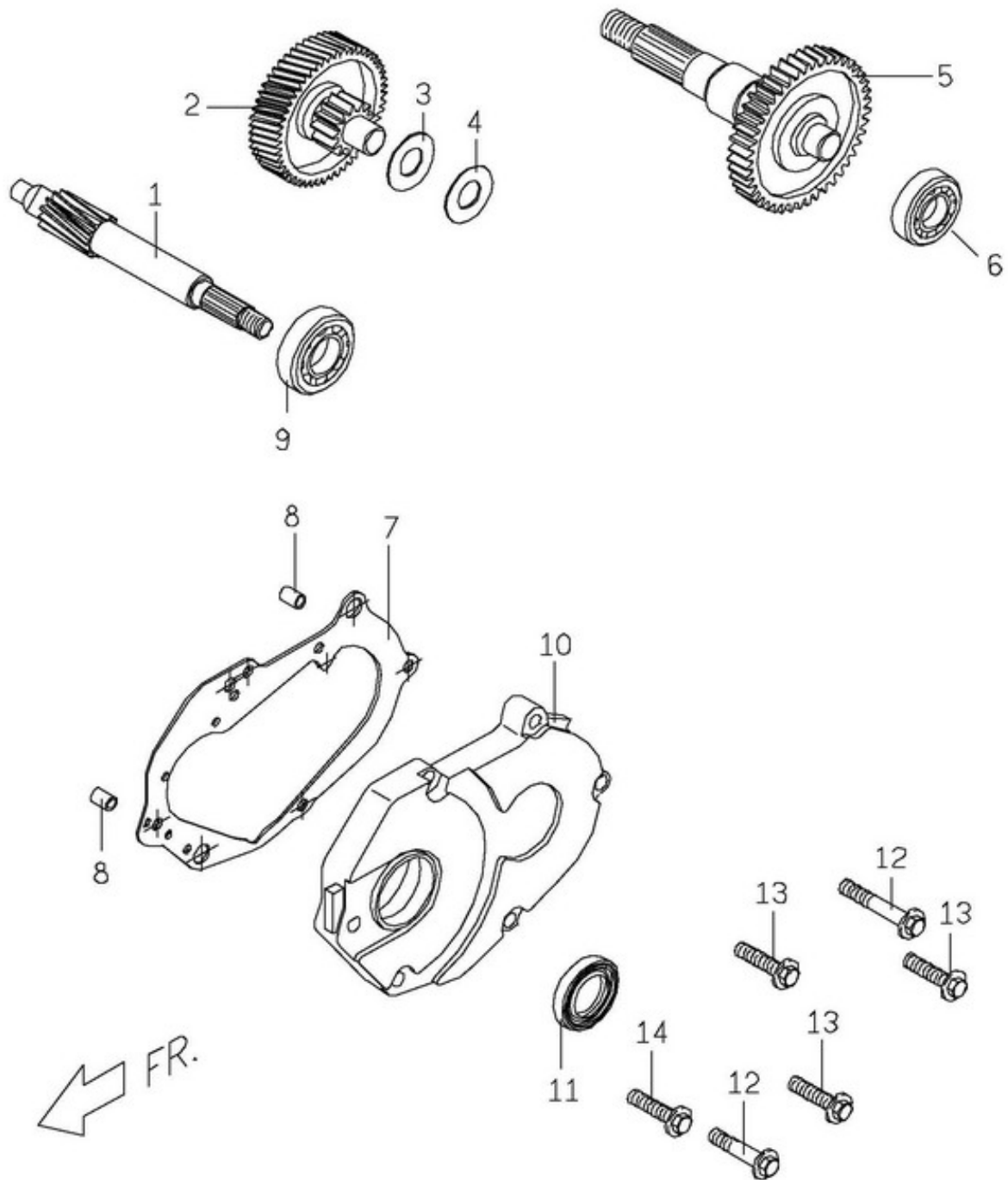


FR. ←

**E5. LEFT CASE BR 50**

N°	REF	Q	DESIGNATION	NOTA BENE
1	P50630107202	1	LH., SIDE COVER	
2	P5063021000	1	GASKET, LH. SIDE COVER	
3	93541001401	2	LOCK PIN	
4	90190603502	8	HEXAGON FLANGE BOLT	
5	P1063060000	1	PARTITION PLATE	
6	E1706280000	1	HOSE CLAMP	
7	90050500900	5	CR ROUND HD. MACHINE SCREW	
8	P5063030000	1	BREATHER PIPE	
9	92240007800	1	CLIP BRACKET CABLE	
10	B6281060000	1	AXLE, FIXING MUFFLER	
11	90191001600	1	HEXAGON FLANGE BOLT	

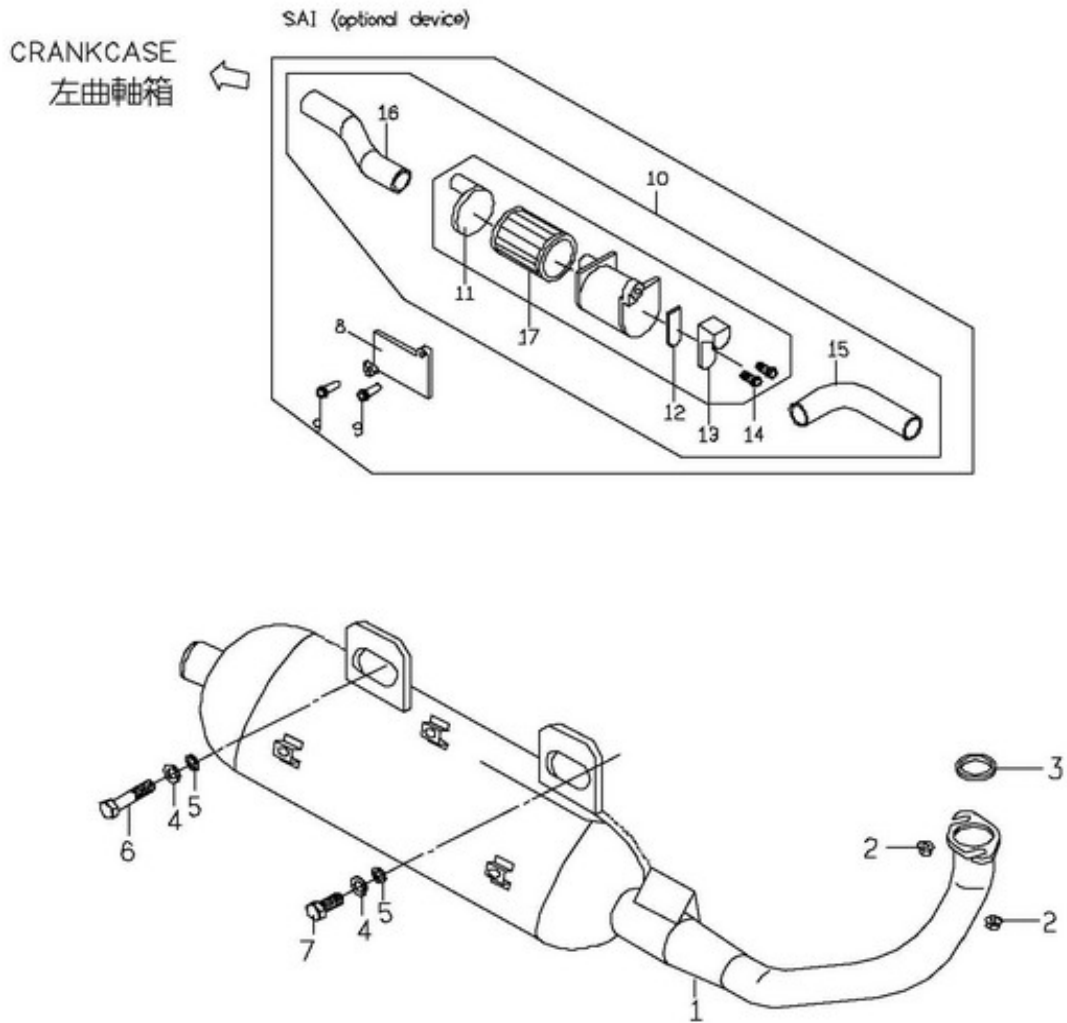
E6 傳動系  
TRANSMISSION



**E6. TRANSMISSION BR 50**

N°	REF	Q	DESIGNATION	NOTA BENE
1	P5141100000	1	DRIVE SHAFT	
2	P5141200000	1	IDLE GEAR COMP.	
3	P1141230000	1	DISC SPRING WASHER	
4	92141400003	1	PLAIN WASHER ( 14D*1T )	
5	B6141300000	1	FINAL GEAR COMP.	
6	96510620200	1	DEEP GROOVE BALL BEARING	
7	P1141021000	1	TRANSMISSION COVER GASKET	
8	93541001401	2	LOCK PIN	
9	96510620301	1	DEEP GROOVE BALL BEARING	
10	P1141010000	1	TRANSMISSION COVER	
11	95571735700	1	OIL SEAL TC TYPE ( D35*D16.4*7 )	
12	90190603500	2	HEXAGON FLANGE BOLT( M6*35L )	
13	90180602500	3	HEXAGON FLANGE BOLT ( M6*25L )	
14	90180602000	1	HEXAGON FLANGE BOLT ( M6*20L )	

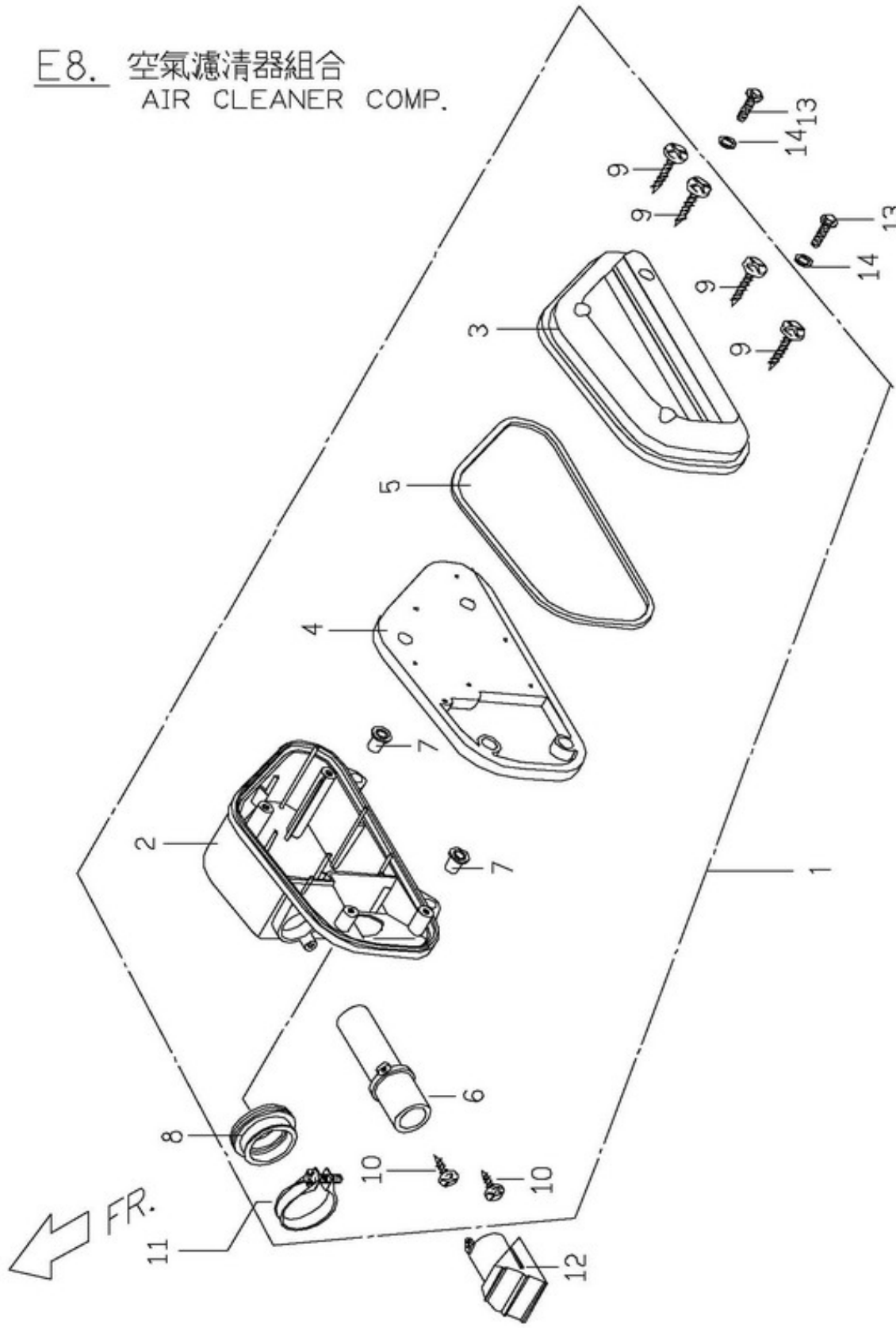
E7 MUFFLER



**E7. MUFFLER BR 50**

N°	REF	Q	DESIGNATION	NOTA BENE
1	B6281000000	1	MUFFLER ASSY.	
2	92050600003	2	HEXAGON FLANGE NUT	
3	E9281020000	1	GASKET,EXHAUST PIPE	
4	92110800000	2	SPRING WASHER	
5	92140800000	2	PLAIN WASHER	
6	90190804003	1	HEXAGON FLANGE BOLT	
7	90190802600	1	HEXAGON BOLT	
8	P22861800001	1	BRACKET, 2ND AIR ASSY.	
9	90150501600	2	CR TRUSS HD TAPPING SCREW	
10	P22861000005	1	SECOND AIR CLEANER ASSY.	
11	P22860800000	1	COVER, SAI	
12	P22860100001	1	REED VALVE COMP	
14	90040501400	2	CR PAN HD. MACHINE SCREW	
15	P22861100002	1	AIR TUBE (A)	
16	P22861200005	1	AIR TUBE (B)	
17	P22860900000	1	2nd AIR FILTER	
18	E1062020000	1	BUSH, PAD DAMPER	

E8. 空氣濾清器組合  
AIR CLEANER COMP.

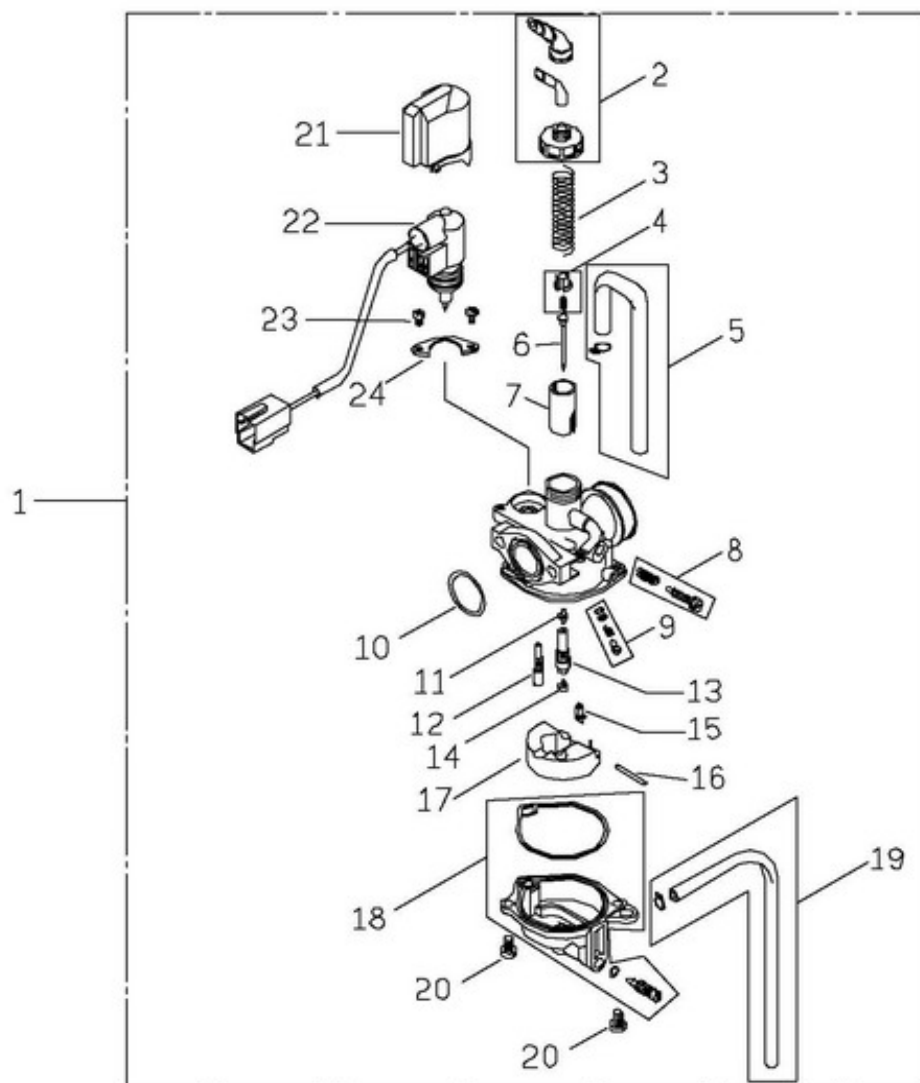




**E8. AIR CLEANER BR 50**

N°	REF	Q	DESIGNATION	NOTA BENE
1	P12620000004	1	AIR CLEANER COMP.	EURO
2	NA	1	BODY, AIR CLEANER	NON FOURNI
3	P1262020000	1	COVER, AIR CLEANER	
4	P1262030000	1	SPONGE, AIR CLEANER	
5	P1262040000	1	PACKING, AIR CLEANER	
6	P12620500002	1	AIR HOSE (14.5mm)	
7	E9262060000	2	BUSH	
8	P1262080000	1	CONNECTION PIPE, AIR CLEANER	
9	90110502500	4	CR RECESS PAN HD. TAPPING SCREW	
10	90110401200	2	CR PAN HD. TAPPING SCREW( M4*16L )	
11	P1262110000	1	CLAMP	
12	P1262120000	1	INTAKE COVER	
13	90180602500	2	HEXAGON FLANGE BOLT ( M6*25L )	
14	92140600005	2	PLAIN WASHER	

E9. 化油器  
CARBURETOR

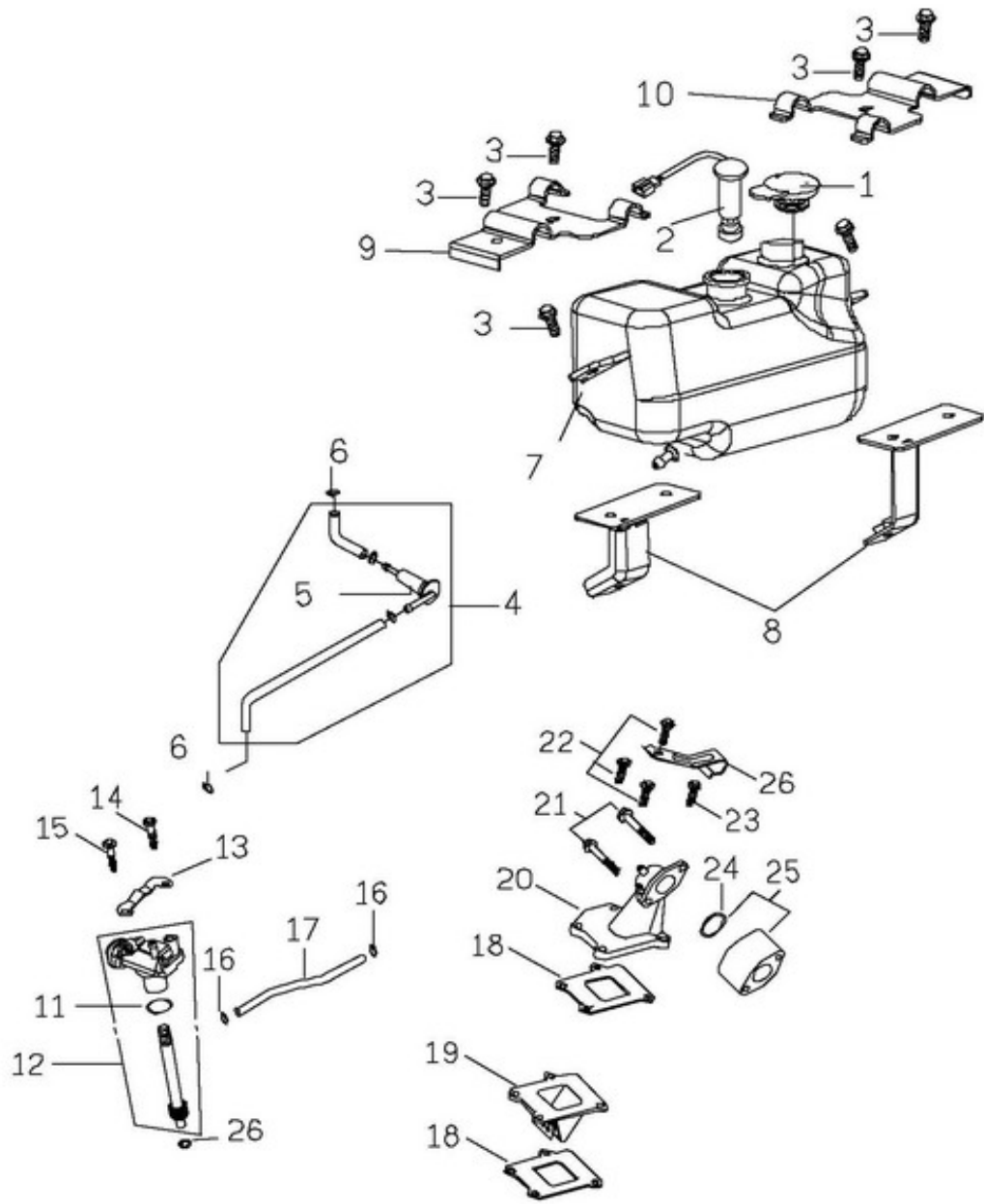


← FR.

**E9. CARBURETOR BR 50**

N°	REF	Q	DESIGNATION	NOTA BENE
1	P51510010001	1	CARBURETOR ASSY.	SETTING "086"
2	D19KT0140100	1	TOP SET	
3	D19KT0040200	1	SPRING, COMP	
4	D19KT0010300	1	PLATE SET	
5	D19KT0052100	1	TUBE SET	
6	D19KT0070400	1	JET NEEDLE	
7	D19KT0150500	1	THROTTLE VALVE	
8	D19KT0031400	1	SCREW SET	
9	D19KT0091600	1	SCREW SET ( S.S )	
10	D19KT0031500	1	O RING	
11	D19KT0040600	1	NEEDLE JET	
12	D19KT0671100	1	SLOW JET	
13	D19KT0080900	1	HOLDER, NEEDLE JET	
14	D19KT0041000	1	JET, MAIN	
15	D19KT0030700	1	FLOAT VALVE SET	
16	D19KT0010800	1	PIN, ARM	
17	D19KT0031300	1	FLOAT SET	
18	D19KT0061200	1	FLOAT CHAMBER SET	
19	D19KT0272100	1	TUBE SET	
20	D19KT0061900	2	SCREW, WASHER	
21	D19KT0022000	1	CAP HOLDER	
22	D19KT0151700	1	AUTO BYSTARTER SET	
23	D19KT0051900	2	SCREW, WASHER	
24	D19KT0011800	1	PLATE SET	

E10 曲軸箱機油泵  
CRANKCASE OIL PUMP



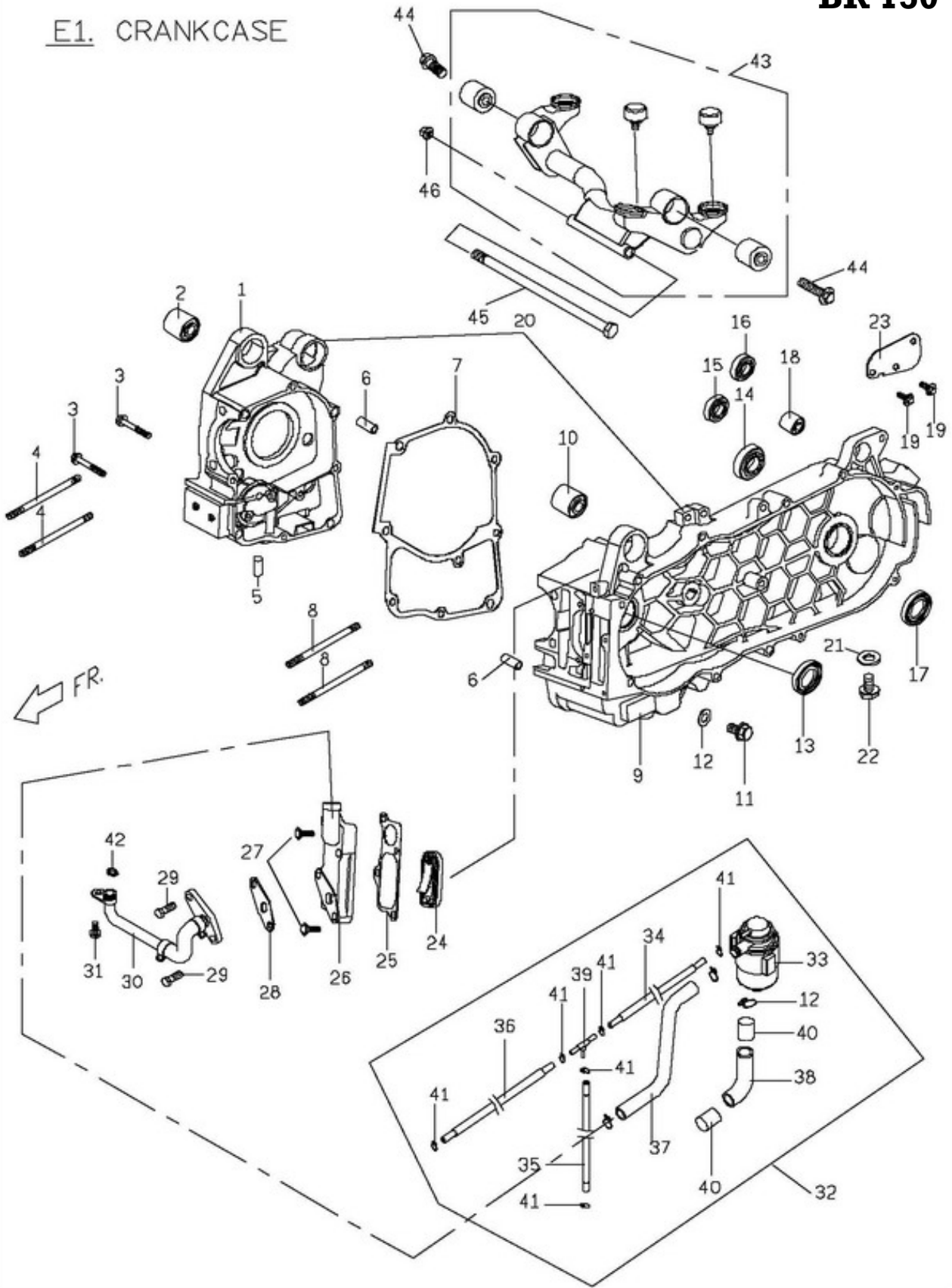
FR. ←

**E10. LUBRICATION SYSTEM BR 50**

N°	REF	Q	DESIGNATION	NOTA BENE
1	P1522300000	1	OIL COVER	
2	M2522700000	1	OIL GAUGE COMP.	
3	90190601500	6	HEXAGON FLANGE BOLT (M6*15L)	
4	B65222000000	1	OIL FILTER ASSY	
5	E152B000000	1	OIL FILTER	
6	92200700000	4	CLIP	
7	M2522500000	1	OIL TANK	
8	B67010500000	2	FIXED PLATE, OIL TANK	
9	B67010400000	1	FIXED PLATE ASSY, OIL TANK (F)	
10	B670A0400000	1	FIXED PLATE ASSY, OIL TANK (REAR)	
11	95512000001	1	O RING	
12	P10810010001	1	OIL PUMP ASSY.	
13	P10812100000	1	OIL PUMP PLATE	
14	90190603500	1	HEXAGON FLANGE BOLT( M6*35L )	
15	90190601203	1	HEXAGON FLANGE BOLT	
16	93550500800	2	SPRING PIN	
17	P5081301000	1	RUBBER TUBE	
18	P1261021000	2	GASKET, REED VALVE	
19	P12611000002	1	REED VALVE COMP.	
20	P5261011000	1	INTAKE MANIFOLD	
21	90190604500	2	HEXAGON FLANGE BOLT( M6*45 )	
22	90180602500	4	HEXAGON FLANGE BOLT ( M6*25L )	
23	95512300000	1	O RING	
24	P5261300000	1	INSULLATOR, ASSY., CARB.	
25	92140700001	1	PLAIN WASHER	
26	P1706400000	1	CLIP	
27	92140700001	1	PLAIN WASHER	

# BR 150

## E1. CRANKCASE

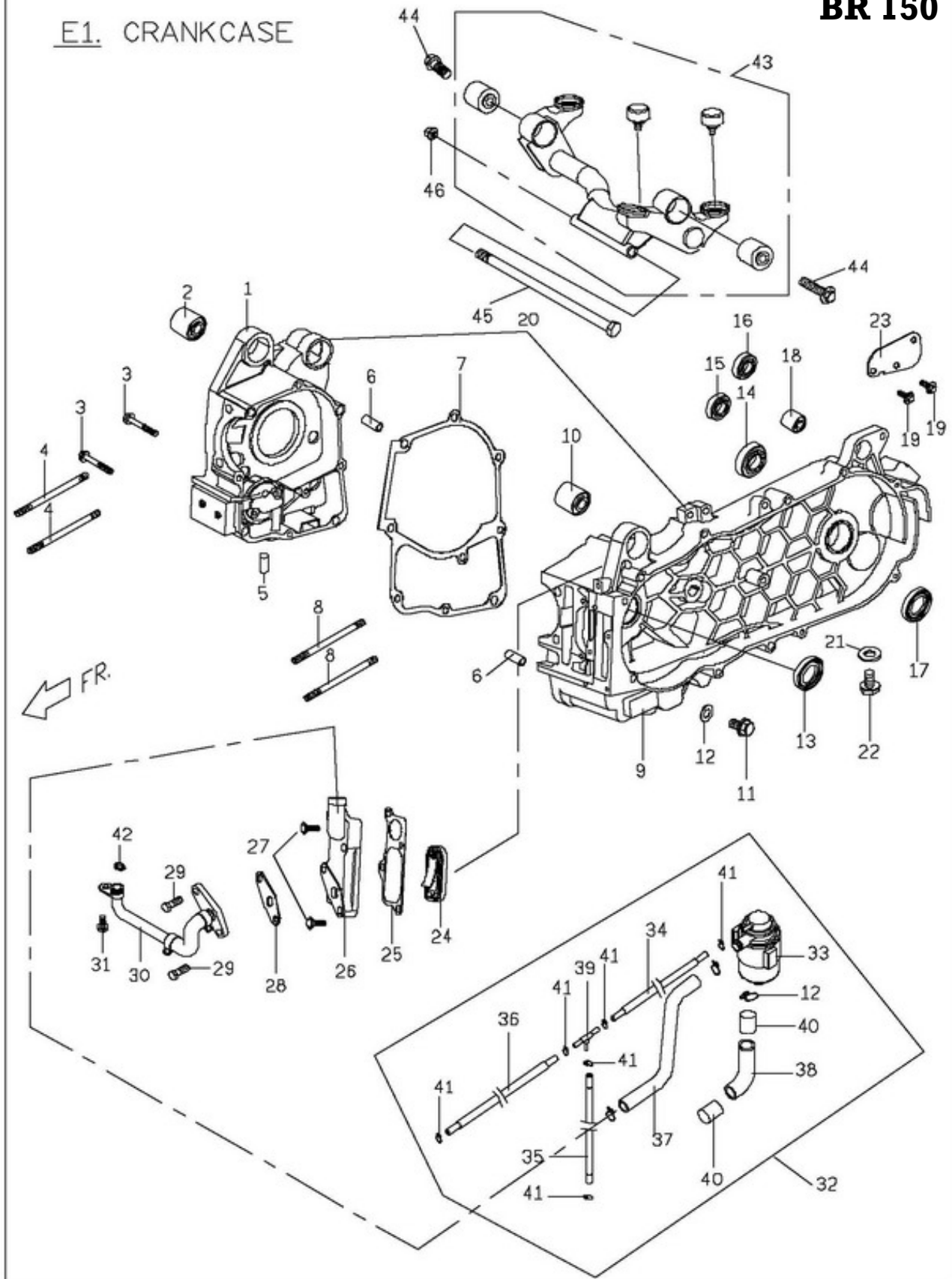


**E 1. ENGINE CRANKCASE BR 150**

N°	REF	Q	DESIGNATION	NOTA BENE
1	C5061011000	1	RH CRANKCASE	
2	E1061020000	1	RUBBER BUSH	
3	90190605003	2	HEXAGON FLANGE BOLT ( M6*50L )	
4	90170818800	2	STUP BOLT	
5	G1061070000	1	OIL PLUG	
6	93540801400	2	LOCK PIN	
7	C5061041000	1	CRANKCASE GASKET	
8	90170819500	2	STUD BOLT	
9	C6062010000	1	LH.CRANKCASE	
10	E1061020000	1	RUBBER BUSH	
11	90181201500	1	HEXAGON FLANGE BOLT	
12	92141200006	1	PLAIN WASHER	
13	95572032601	1	OIL SEAL,TC TYPE	
14	96510620407	1	DEEP GROOVE BALL BEARING	
15	96510620200	1	DEEP GROOVE BALL BEARING	
16	96510620301	1	DEEP GROOVE BALL BEARING	
17	95572032600	1	OIL SEAL TC TYPE	
18	P1062020000	1	RUBBER BUSH	
19	90190601601	2	HEXAGON FLANGE BOLT (M6*16L)	
20	C606K0100001	1	RH AND LH CRANKCASE ASSY.	
21	92140800001	1	PLAIN WASHER	
22	90190801200	1	HEXAGON FLANGE BOLT (M8*12L)	
23	C2706010000	1	FIXING PLATE, AIR CLEANER	
24	C5286010000	1	SECOND AIR REED VALVE COMP	
25	C1286161000	1	GASKET SECOND AIR COVER	
26	C5286060000	1	COVER,SECOND AIR	
27	90190602700	2	HEXAGON FLANGE BOLT (M6*27L)	
28	C1286190000	1	GASKET, SECOND AIR PIPE (2)	
29	90190603502	2	HEXAGON FLANGE BOLT	

**BR 150**

E1. CRANKCASE



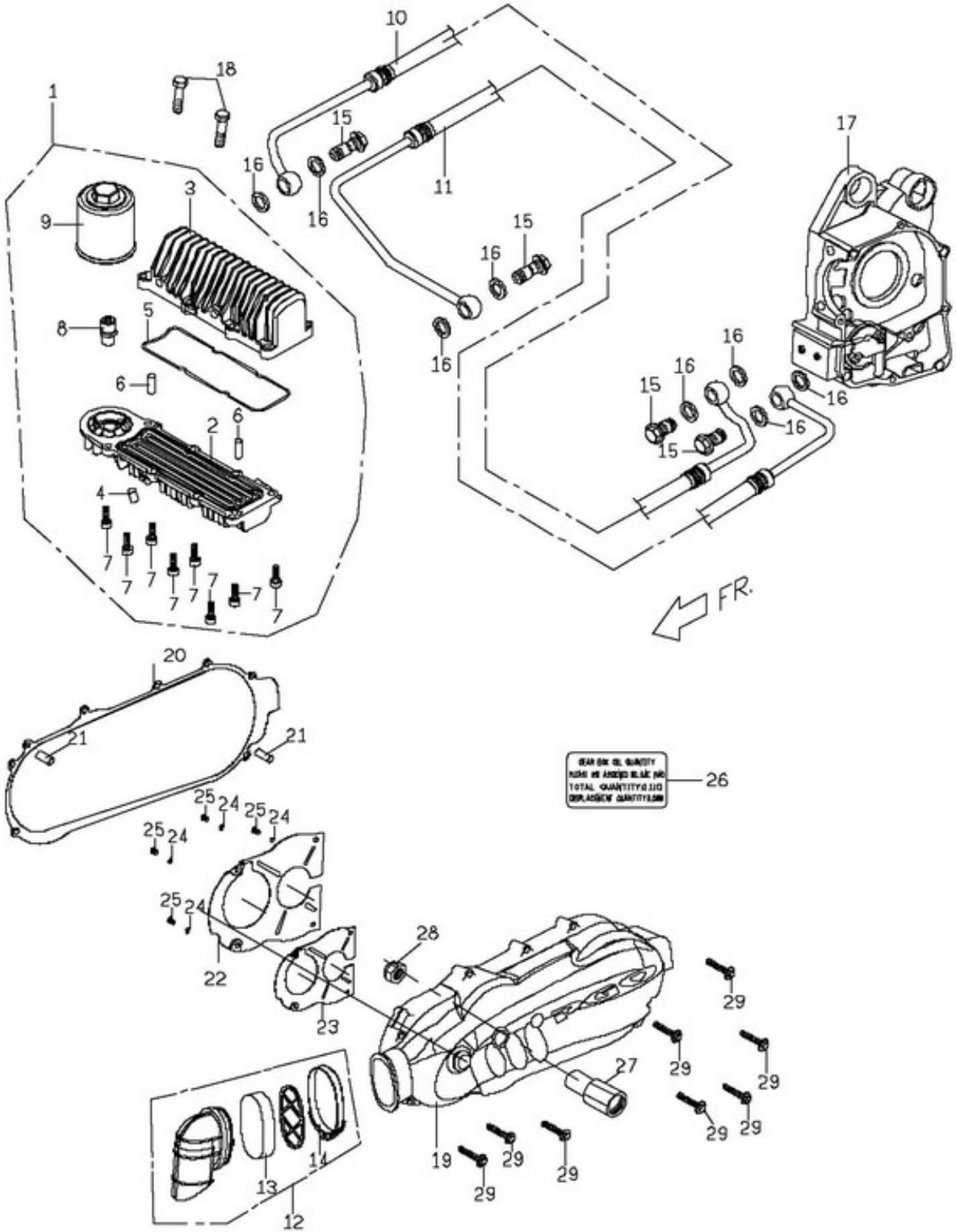


**E 1. ENGINE\_CRANKCASE BR 150**

N°	REF	Q	DESIGNATION	NOTA BENE
30	C3286201000	1	SECOND AIR PIPE COMP	
31	90190601203	1	HEXAGON FLANGE BOLT	
32	B5286300000	1	AIAC COMP.	
33	P62862100001	1	REED VALVE ASSY.	
34	B5286240000	1	VACUUM PIPE (A)	
35	B5286250000	1	VACUUM PIPE (B)	
36	B5286260000	1	VACUUM PIPE (C)	
37	B5286270000	1	TUBE (A)	
38	P6286270000	1	TUBE (B)	
39	C1286290000	1	THREE WAY, PIPE	
40	C1286310000	2	ISOLATION	
41	92200700000	6	CLIP	
42	95511000001	1	O RING	
43	B5486000000	1	ENGINE HANGER ASS'Y.	
44	90191005000	2	HEXAGON BOLT	
45	90191018000	1	HEXAGON BOLT	
46	92061000001	1	U NUT	

E2. BR150\_ OIL COOLER & LH COVER

**BR 150**

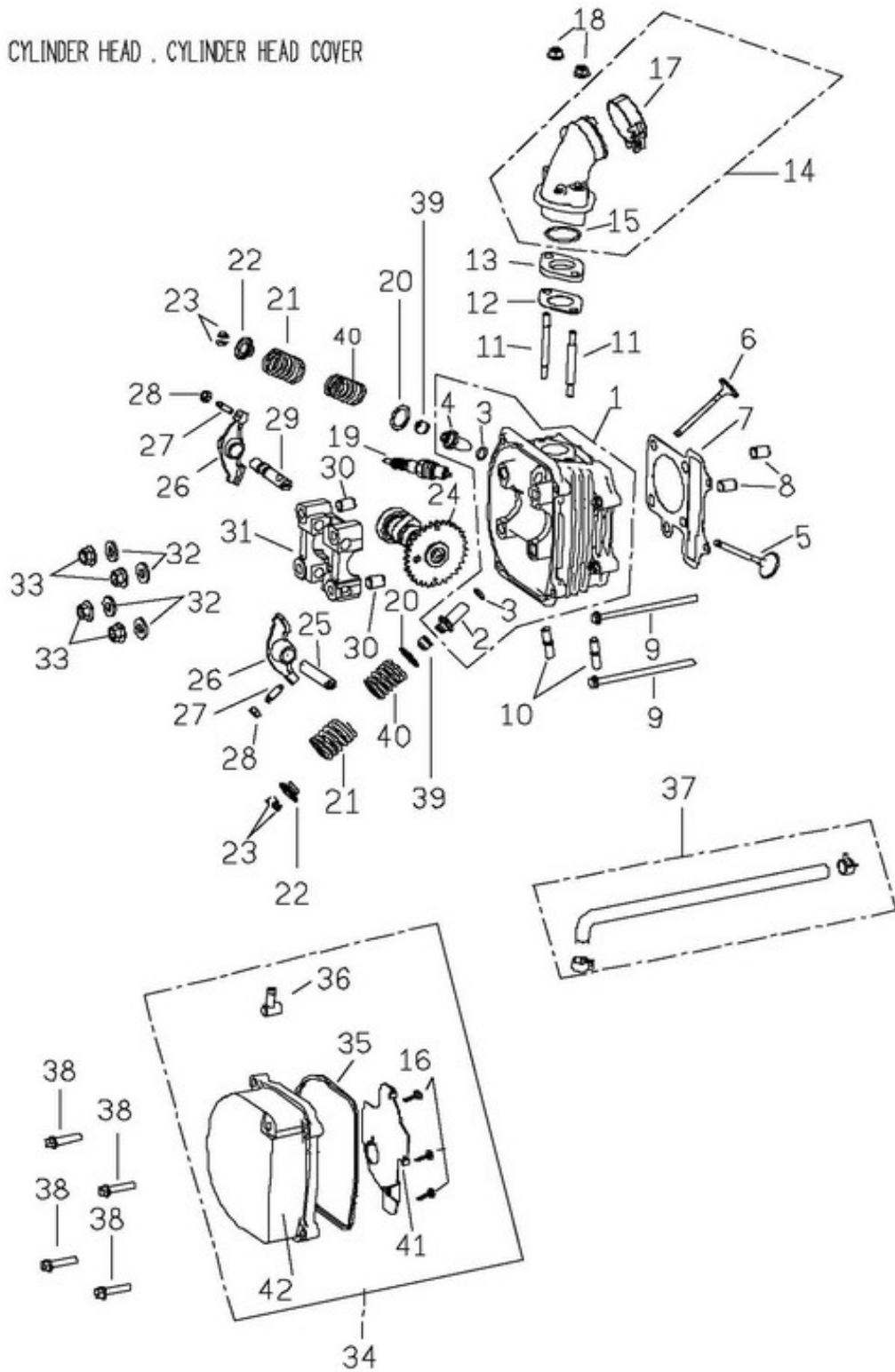


**E 2. ENGINE OIL COOLER BR 150**

N°	REF	Q	DESIGNATION	NOTA BENE
1	C5083010000	1	Oil Cooler System Comp.	
2	C5083020000	1	RADIATOR, UPPER	
3	C5083030000	1	OIL COOLER COVER, LOWER	
4	G1067010000	1	OIL PLUG	
5	C5083040000	1	OIL SEAL	
6	93560401000	2	LOCK PIN	
7	90210601800	8	HEXAGON SOCKET HD. CAP SCREW	
8	C5083080000	1	OIL FILTER JOINT	
9	C1082020000	1	OIL FILTER	
10	B5083050000	1	OIL COOLER PIPE(1)	
11	B5083060000	1	OIL COOLER PIPE(2)	
12	C1063102000	1	BREATHER PIPE COMP	
13	C1063092000	1	SPONGE	
14	C1706280000	1	CLAMP	
15	C5083070000	4	OIL PASS BOLT	
16	92141200006	8	PLAIN WASHER	
17	C5061011000	1	RH CRANKCASE	
18	90190807500	2	HEXAGON FLANGE BOLT(M8*75L)	
19	C2063012720	1	LH SIDE COVER	PGO
20	C2063021000	1	GASKET LEFT COVER	
21	93540801400	2	LOCK PIN	
22	C20630600001	1	PARTITION PLATE	
23	C20631200001	1	PACKING, PARTITION PLATE	
24	92110500000	6	SPRING LOCK WASHER	
25	90050500900	6	CR ROUND HD. MACHINE SCREW	
26	C16031400001	1	GEAR OIL NOTICE LABEL(ENGLISH)	
27	B5281060000	1	AXLE, FIXING MUFFLER	
28	92061400000	1	U NUT	
29	90190604001	8	HEXAGON FLANGE BOLT	

# BR 150

## E3. CYLINDER HEAD , CYLINDER HEAD COVER

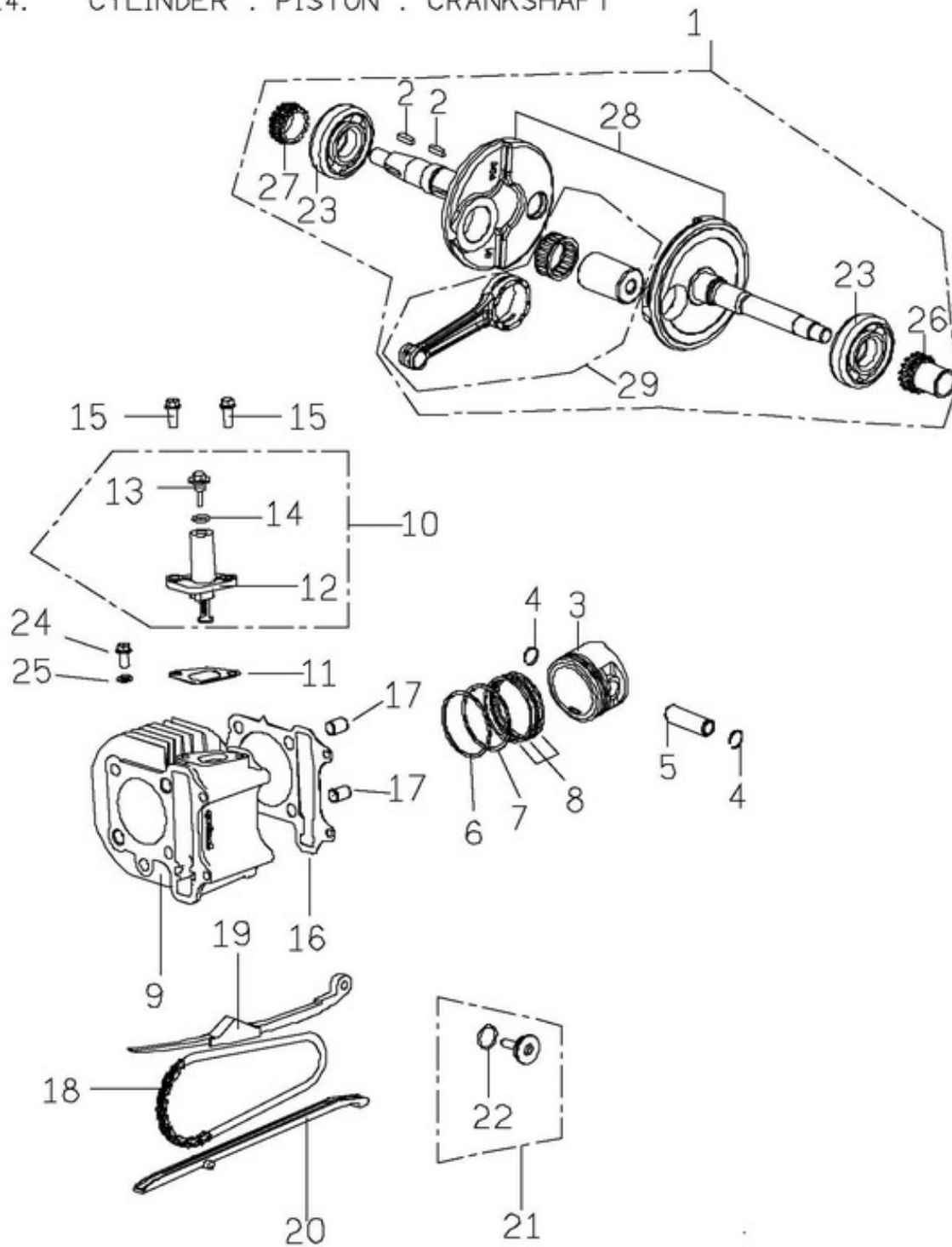


**E 3. ENGINE CYLINDER HEAD BR 150**

N°	REF	Q	DESIGNATION	NOTA BENE
1	C50710120001	1	HEAD COMP. CYLINDER	W/H SAI SYSTEM
2	NA	1	GUIDE FXH VALE	
3	NA	2	O RING	
4	NA	1	GUIDE IN VALE	
5	C5071200000	1	VALVE EXHAUST	
6	C5071300000	1	VALVE INLET	
7	C5071071000	1	GASKET, CYLINDER HEAD	
8	93541001401	2	LOCK PIN	
9	90190610000	2	HEXAGON FLANGE BOLT	
10	90170802900	2	STUD BOLT	
11	90170606300	2	STUD BOLT	
12	C1261321000	1	INSULATOR CARB GASKET	
13	C1261310000	1	INSULATOR CARB	
14	C1261052000	1	INTAKE MANIFOLD COMP	
15	95512700001	1	O RING	
16	90150400800	4	C-R TAPPING MACHINE SCREW	
17	C1261061000	1	CLIP	
18	92040600000	2	HEXAGON FLANGE NUT ( M6*1.0P )	
19	C12220000002	1	SPARK PLUG (CR7HSA)	
20	92431600002	2	PLAIN WASHER	
21	C5071411000	2	OUTER SPRING, VALVE	
22	C1071440000	2	RETAIER VALVE SPRING	
23	C1071430000	4	COTTER VALVE	
24	C5073000000	1	Cam Shaft Comp.	
25	C1072060000	1	SHAFT, EX.ROCKER ARM	
26	C1072010000	2	VALVE RXKER ARM	
27	C1072420000	2	SCREW TOPPED ADJUSTER	
28	92020500001	2	HEXAGON NUT	
29	C1072050000	1	SHAFT, EX.ROCKER ARM	
30	93541001401	2	LOCK PIN	
31	C1072430000	1	CAMSHAFT HOLDER	
32	92140800000	4	PLAIN WASHER	
33	92040800000	4	HEXAGON FLANGE NUT (M8)	
34	C2071102000	1	CYL.HEAD COVER COMP.	
35	C1071120000	1	DACKING, CYL. HEAD COVER	
36	C1071130000	1	CYLINDER TUBE PISTON	
37	ES071190000	1	BREATHER PIPE ASSY	
38	90190602700	4	HEXAGON FLANGE BOLT (M6*27L)	
39	C1071451000	2	VALVE SEAL	
40	C5071421000	2	INNER SPRING, VALVE	
41	C10711500001	1	PARTITION PLATE	
42	C10711100003	1	COVER, CYLINDER HEAD	

# BR 150

## E4. CYLINDER . PISTON . CRANKSHAFT

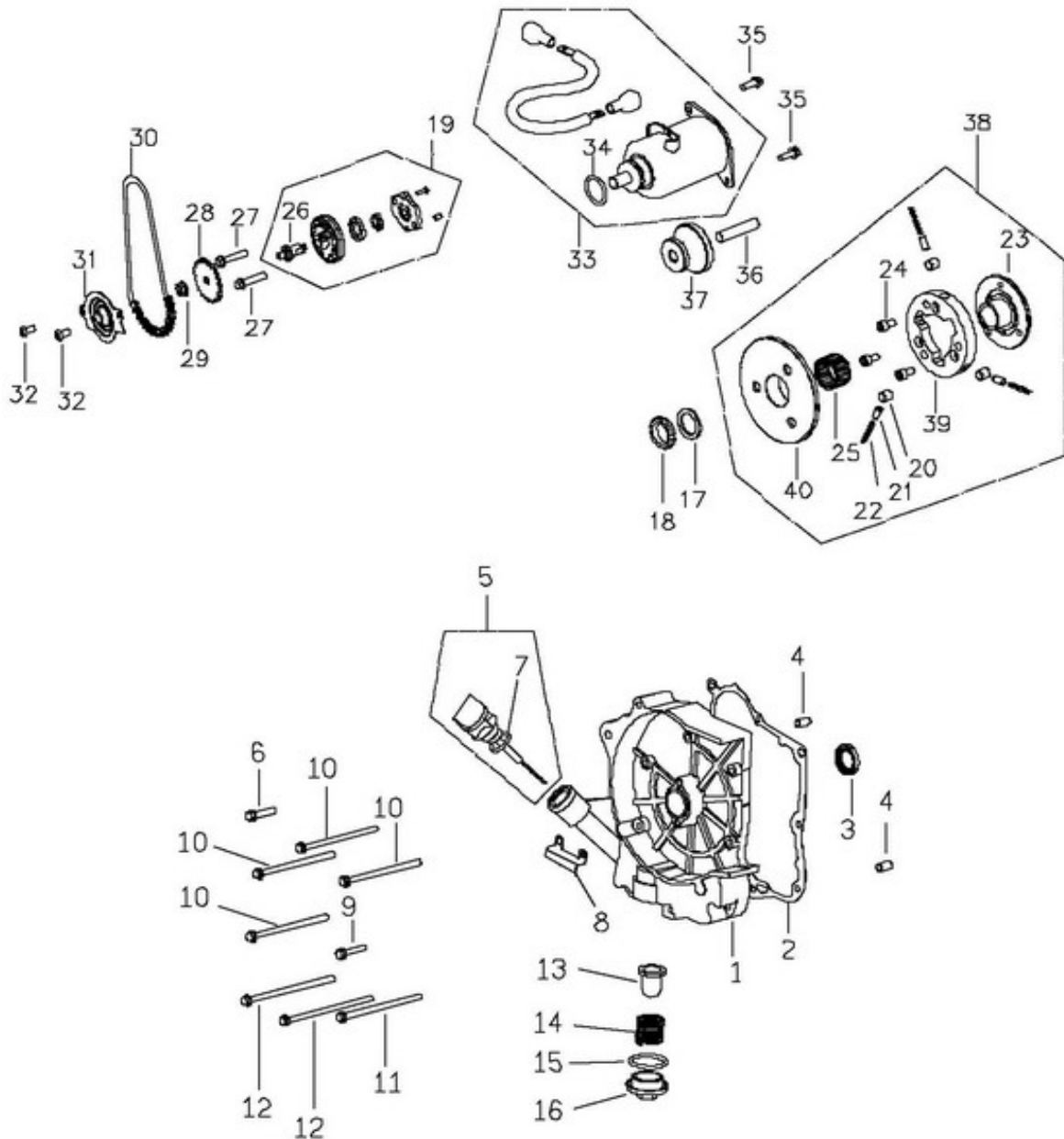


**E 4. ENGINE CRANKSHAFT BR 150**

N°	REF	Q	DESIGNATION	NOTA BENE
1	C50665000003	1	CRANKSHAFT COMP.	
2	93530402500	2	WOODRUFF KEY	
3	C50670120001	1	PISTON	
4	G1067151000	2	CLIP,PISTON PIN	
5	C5067110000	1	PISTON PIN	
6	C50673100001	1	PISTON RING (1)	
7	C50673200001	1	PISTON RING (2)	
8	C50674000001	1	OIL SCRAPER RING COMP	
9	C50640100007	1	CYLINDER (57.5mm)	
10	C5072500000	1	CHAIN ADJUSTER COMP.	
11	C5072481000	1	GASKET,CHAIN ADJUSTER	
13	90070600600	1	CR TRUSS HEAD TAPPING SCREW	
14	95511000002	1	O-RING	
15	90180602000	2	HEXAGON FLANGE BOLT ( M6*20L )	
16	C5064111000	1	GASKET CYLINDER	
17	93541001401	2	LOCK PIN	
18	C1072460000	1	CHAIN,CAMSHAFT	
19	C1072440000	1	TENSIONER,CAM CHAIN	
20	C5072470000	1	Guiding Chain	
21	C1072490000	1	PIVOT,CAM CHAIN TENSION COMP	
22	95511500001	1	O RING	
23	C1062100000	2	ROLLER BEARING	
24	90190601203	1	HEXAGON FLANGE BOLT	
25	92140600011	1	PLAIN WASHER	
26	C5066130000	1	TIMING SPROCKET	
27	C1066140000	1	OIL PUMP CHAIN GEAR	
28	C506F0100002	1	LH & RH CRANKSHAFT ASSY.	
29	C506F1100002	1	CONNECTING ROD ASSY.	

# BR 150

## E5 STARTING MOTOR, OIL PUMP

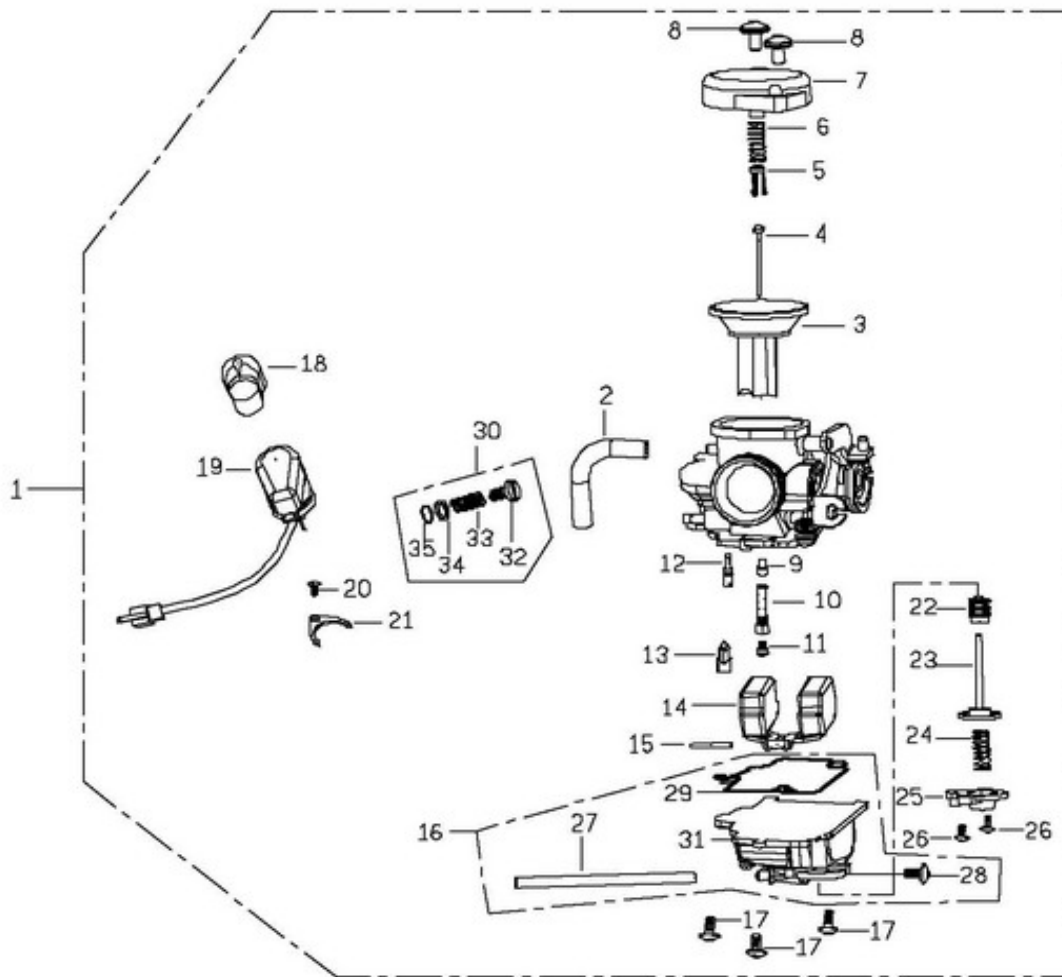




**E 5. ENGINE RIGHT CRANKCASE COVER BR 150**

N°	REF	Q	DESIGNATION	NOTA BENE
1	<b>C10680100003</b>	1	<b>RH. CRANKCASE COVER</b>	
2	C1068021000	1	GASKET RH. CRANKCASE COVER	
3	95572030501	1	OIL SEAL TC TYPE (φ30*φ18*5t)	
4	93540801400	2	LOCK PIN	
5	C2068110000	1	GAUSE,OIL LEVEL COMP	
6	90190603000	1	HEXAGON FLANGE BOLT	
7	95511800001	1	O-RING	
8	C1706640000	1	A.C.G PLATE	
9	90190602700	1	HEXAGON FLANGE BOLT (M6*27L)	
10	90190609500	4	HEXAGON FLANGE BOLT	
11	90190610000	1	HEXAGON FLANGE BOLT	
12	90190611000	2	HEXAGON FLANGE BOLT	
13	G1062180000	1	SCREEN OIL FILTER	
14	C1062190000	1	SPRING OIL FILTER SCREEN	
15	95513100000	1	O-RING	
16	C1062240000	1	CAP TAPPET ADJUSTING HOLE	
17	92142200000	1	PLAIN WASHER ( 22*31*2.5 )	
18	C1243060000	1	NUT LOCK ( LEFT THREAD )	
19	C1081000000	1	OIL PUMP ASSY	
20	C1243030000	3	ROLLER ONE WAY CLUTCH	
21	C1243020000	3	COP,ROLLER SPRING	
22	G1243010000	3	COMPRESS SPRING	
23	C12430500001	1	COVER CLUTCH OUTER	
24	90210801000	3	INNER HEX BOLT	
25	96590283200	1	NEEDLE BEARING	
26	C1081070000	1	SHAFT,OIL PUMP	
27	90190602700	2	HEXAGON FLANGE BOLT (M6*27L)	
28	C1081030000	1	SPRKT OIL PUMP DRIVEN	
29	92040600000	1	HEXAGON FLANGE NUT ( M6*1.0P )	
30	C1081220000	1	CHAIN,OIL PUMP	
31	C1081230000	1	OIL SEPARATER	
32	E1681030000	2	PAN HD BOLT W/WASHER	
33	B5241000000	1	STARTING MOTOR COMP.	
34	95512400002	1	O RING	
35	90190601601	2	HEXAGON FLANGE BOLT (M6*16L)	
36	C1242040000	1	SHAFT,STARTET REDUCTION GEAR	
37	C1242010000	1	GEAR,STARTER REOUCTION	
38	C12430000001	1	ONE WAY CLUTCH ASSY.	
39	NA	1	ONE WAY CLUTCH COMP.	
40	C1244000000	1	GEAR COMP.STARTING CLUTCH	

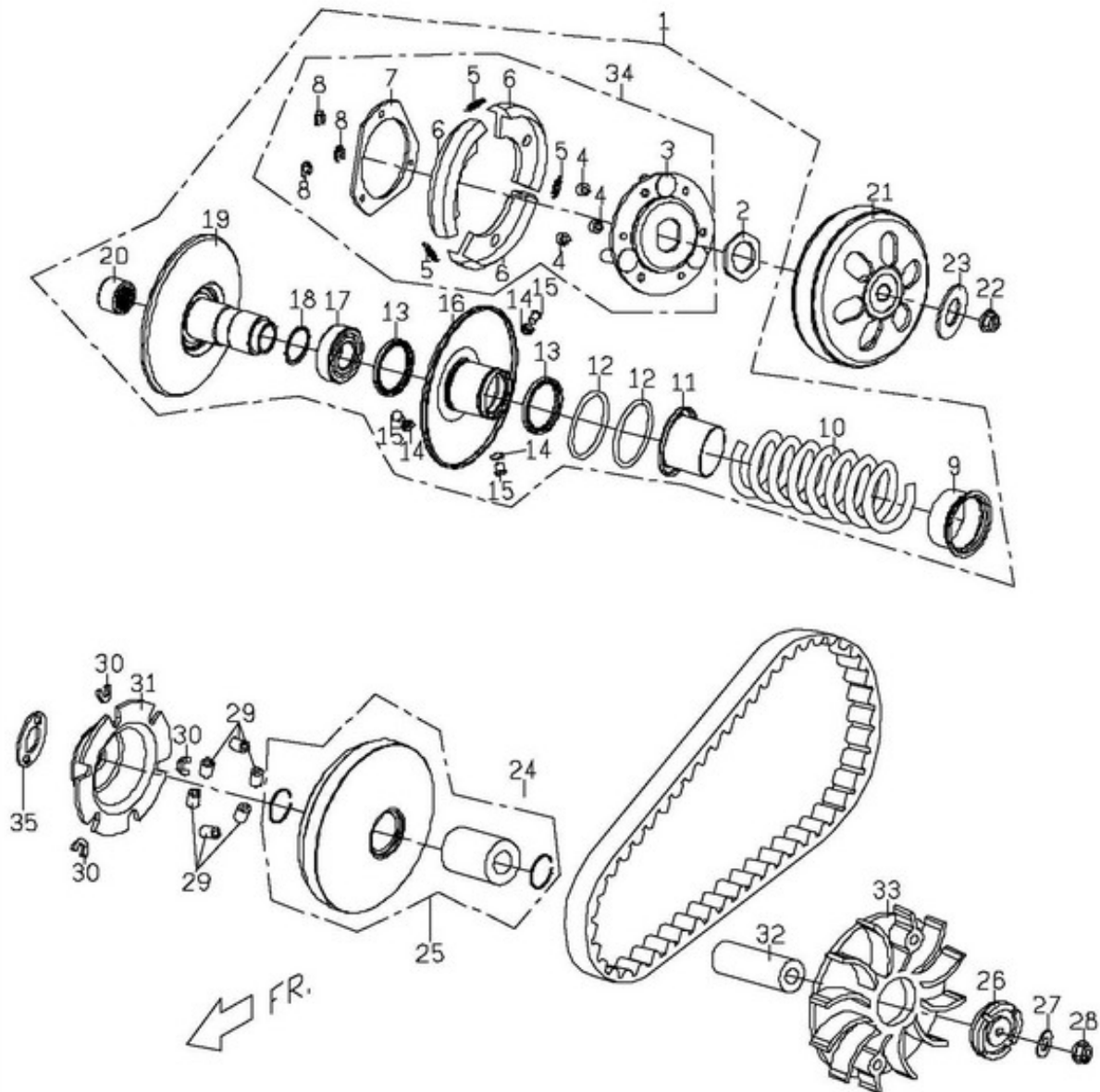
E6 CARBURETOR



**E 6. ENGINE\_CARBURETOR BR 150**

N°	REF	Q	DESIGNATION	NOTA BENE
1	C51510010001	1	CARBURETOR ASSY (CVK046)	
2	16199GY69000	1	TUBE SET	
3	14029232201	1	VACUUM PISTON COMP	
4	N4254HLGL	1	JET NEEDLE	
5	12298057000	1	VALVE PLATE SET	
6	1290A232000	1	COMPRESSION SPRING	
7	10308737003	1	TOP SET	
8	01108031100	2	SCREW,PAN	
9	N42633C00	1	NEEDLE JET	
10	N41318C00	1	HOLDER, NEEDLE JET	
11	991011160980	1	JET, MAIN	
12	1001440H0381	1	SLOW JET (#38)	
13	16155ZG8L100	1	FLOAT VALVE SET	
14	10528622101	1	FLOAT COMP	
15	W952525250	1	ARM PIN	
16	K3500190600	1	FLOAT CHAMBER SET	
17	93500040121H	3	SCREW,PAN	
18	12308567001	1	HOLDER CAP	
19	40000940000	1	AUTO BYSTARTER SET	
20	938920400818	1	SCREW WASHER	
21	10908732001	1	SET PLATE	
22	10280547000	1	SEALING CAP	
23	12018302201	1	DIAPHRAGM COMP	
24	1290A072000	1	COMPRESSION SPRING	
25	12308502000	1	COVER	
26	93500040101H	2	SCREW	
27	1785402H0040	1	TUBE SET	
28	11988222000	1	DRAIN SCREW	
29	12028656000	1	O RING	
30	K4460020100	1	PILOT SCREW SET	
31	N35061E00	1	FLOAT CHAMBER SET	
32	N44612A00	1	SCREW	
33	W17115189901	1	COMPRESION SPRING	
34	03018032000	1	PLAIN WASHER	
35	16075KG89010M1	1	O RING	

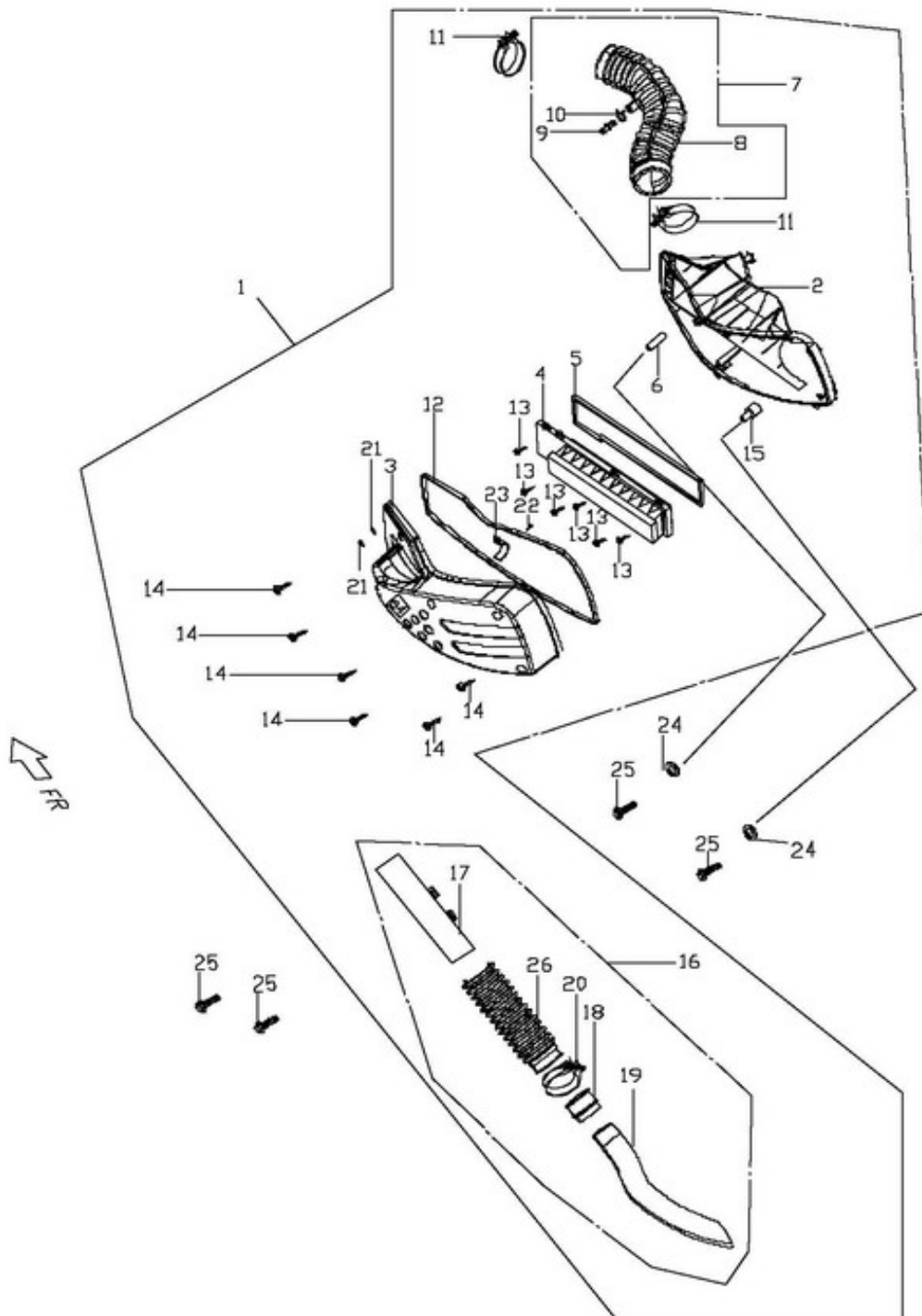
E7 DRIVEN PULLEY



**E 7. ENGINE DRIVEN PULLEY BR 150**

N°	REF	Q	DESIGNATION	NOTA BENE
1	C1123700000	1	BELT PULLEY COMP,DRIVEN FACE	
2	P1123410000	1	NUT	
3	C1123300000	1	BODY COMP,DRIVE PLATE	
4	C1123420000	3	DAMPER RUBBER,CLUTCH	
5	C1123430000	3	SPRING,CLUTCH	
6	C1123440000	3	CLUTCH WEIGHT (3 in 1 set)	
7	C1123450000	1	PRESSURE PLATE,CLUTCH	
8	92180700000	3	RETAINING RING E TYPE	
9	C1123330000	1	COLLAR,SPRING	
10	C1123520000	1	SPG,DRIVEN FACE	
11	C1123530000	1	SEALED SOCKET	
12	95514000001	2	O RING	
13	95593441400	2	OIL SEAL G TYPE	
14	C1123250000	3	BUSH	
15	C1123240000	3	PIN,GRIDE	
16	C1123210000	1	BODY COMP,DRIVEN FACE	
17	96520690200	1	DEEP GROOVE BALL BEAR ONE SEAL (D28*D15*7)	
18	92162800000	1	RETAINING RING C TYPE	
19	C1123110000	1	DOBY COMP,DRIVEN FACE	
20	96550202900	1	NEEDLE BEARING	
21	C1123510000	1	OUTER BODY COMP,CLUTCH	
22	92041200002	1	HEXAGON FLANGE NUT	
23	92141200005	1	PLAIN WASHER	
24	C21220000001	1	BELT	
25	C11211000001	1	FACE MOVABLE DRIVE	
26	C1251030000	1	RATCHET KICK STARTER	
27	92141200005	1	PLAIN WASHER	
28	92041200002	1	HEXAGON FLANGE NUT	
29	C1121200000	6	WEIGHT ROLLER (6 in 1 set)	
30	C1121321000	3	SLIDE PIECE (3 in 1 set)	
31	C1121310000	1	RAMP PLATE	
32	C1121050000	1	BOSS,MOVABLE DRIVE FACE	
33	C11210600001	1	DRIVE FACE	
34	C1123600000	1	DRIVEN PULLEY ASSY.	
35	C5066051000	1	SPACE BUSH	

**E8 AIR CLEANER COMP.**

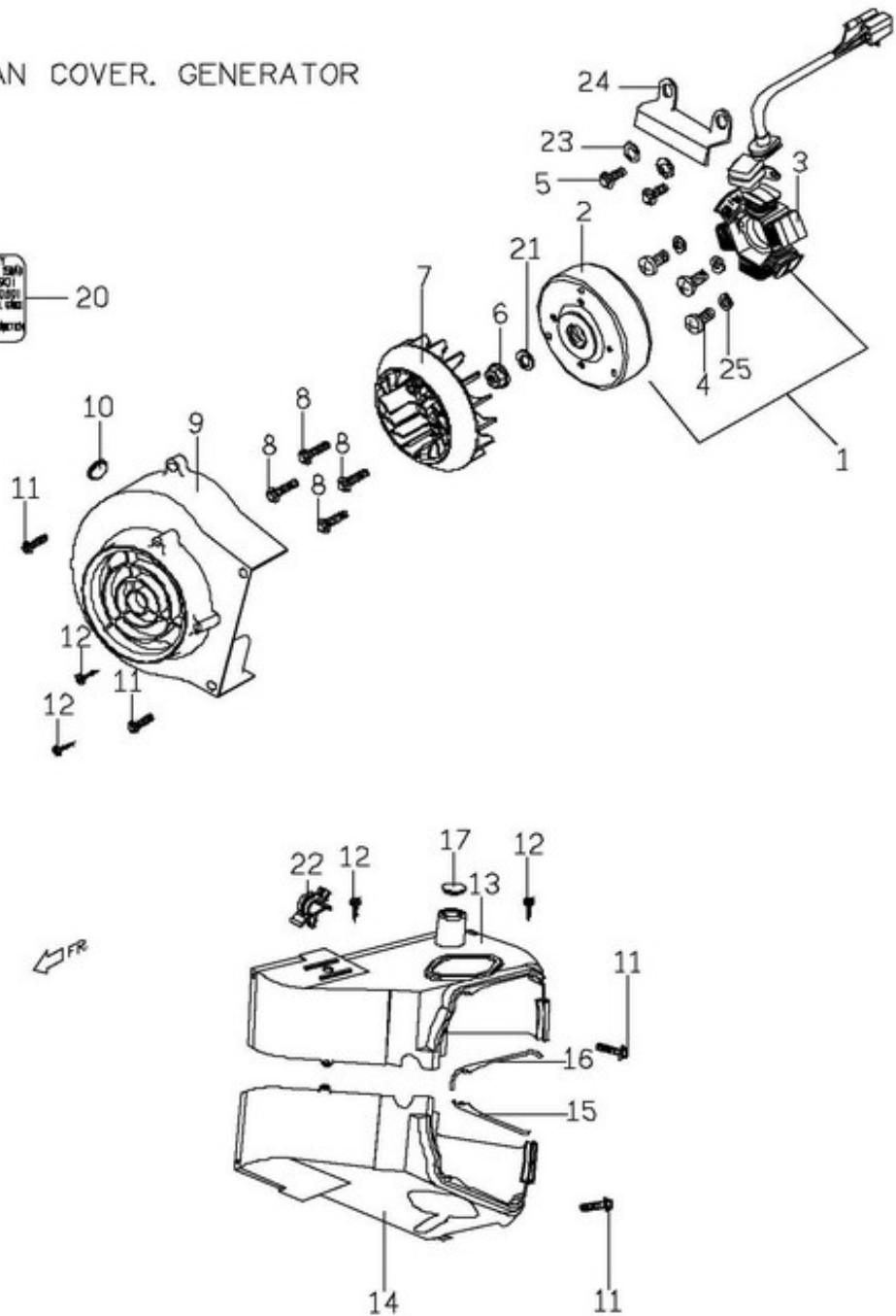


**E 8. ENGINE AIRCLEANER ASSEMBLY BR 150**

N°	REF	Q	DESIGNATION	NOTA BENE
1	C52620000002	1	AIR CLEANER COMP	
3	C2262020000	1	COVER,AIR CLEANER	
4	C5262032000	1	AIR FILTER	
5	C2262040000	1	PACKING,AIR FILTER	
6	C2262060000	1	BUSH	
7	C22623400001	1	CONNECTION PIPE,AIR CLEANER	
8	C22620800001	1	CONNECTION PIPE	
9	C226B340000	1	PIPE, TWO WAY	
10	92221100000	1	CLAMP, BOARD TYPE	
11	C1262110000	2	CLAMP.	
12	C2262230000	1	PACKING, AIR FILTER	
13	90150501600	6	CR TRUSS HD TAPPING SCREW	
14	90150502500	6	CR TRUSS HD TAPPING SCREW	
15	C2262250000	1	BUSH	
16	C2262260000	1	INLET AIR PIPE COMP	
17	C2262270000	1	INLET CONNECTING PIPE	
18	C2262280000	1	CONNECTING PIPE	
19	C2262290000	1	AIR PIPE INSIDE	
20	C1262110000	1	CLAMP.	
21	90130301300	2	TAPPING SCREW	
22	90130501000	1	TAPPING SCREW	
23	C2262320000	1	COMPRESS PLATE	
24	92140600005	2	PLAIN WASHER	
25	90190604500	2	HEXAGON FLANGE BOLT( M6*45 )	
26	C2262210000	1	INLET CONNECTING PIPE	

E9 FAN COVER. GENERATOR

INDICATE THE QUANTITY  
PLEASE USE ASSIGNS OR SAZ 3000  
(TOTAL QUANTITY/SCM)  
LOCALMENT QUANTITY/SCM  
FOR REPLACEMENT USE OF USE AND  
CHECK IT'S IN USE  
CHECK IN USE IS CORRECT BY CONTACT  
WITH J. BARRIS 2 2006

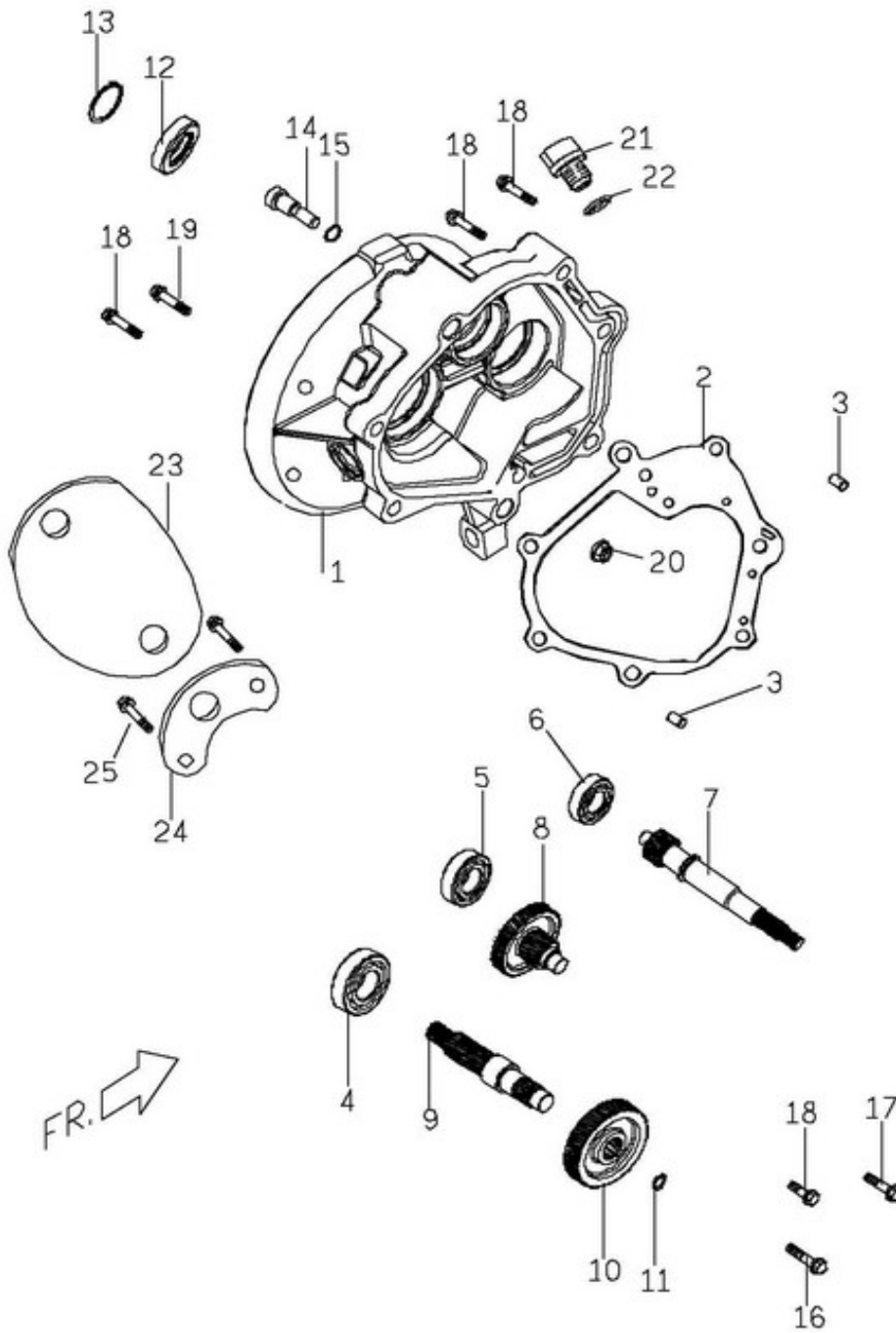




**E 9. ENGINE GENERATOR BR 150**

N°	REF	Q	DESIGNATION	NOTA BENE
1	C5221001000	1	AC GENERATOR ASSY. (DC LIGHTING)	DC LIGHTING
2	C5221011000	1	FLYWHEEL COMP. (DC LIGHTING)	DC LIGHTING
3	C5221020000	1	STATOR COMP(DC LIGHTING)	DC LIGHTING
4	90210502800	3	HEXAGON FLANGE BOLT	
5	90190501201	2	HEXAGON FLANGE BOLT (M5*12L)	
6	92041200000	1	HEXAGON FLANGE NUT	
7	C1043001000	1	FAN	
8	90190601203	4	HEXAGON FLANGE BOLT	
9	C1042001000	1	FAN COVER	
10	C1042030000	1	RUBBER PLUG	
11	90180602000	4	HEXAGON FLANGE BOLT ( M6*20L )	
12	90150501600	4	CR TRUSS HD TAPPING SCREW	
<b>13</b>	<b>C50422110001</b>	<b>1</b>	<b>COOLING COWL(2)</b>	<b>W/H AIR PIPE, used with item #26</b>
<b>13</b>	<b>C5042210000</b>	<b>1</b>	<b>COOLING COWL(2)</b>	<b>W/O AIR PIPE</b>
14	C5042102000	1	COOLING COWL(1)	
15	C1042120000	1	SEAL,COOLING HOOD(1)	
16	C1042220000	1	SEAL,COOLING HOOD(2)	
17	C1701260000	1	RUBBER PLUG	
20	C16031300001	1	ENG., OIL NOTICE LABEL	
21	92141200005	1	PLAIN WASHER	
22	C1701290000	1	PLASTIC LOCKER	
23	92110500000	2	SPRING LOCK WASHER	
24	C1706640000	1	A.C.G PLATE	
25	92110500000	3	SPRING LOCK WASHER	
<b>26</b>	<b>C1042270000</b>	<b>1</b>	<b>AIR PIPE</b>	<b>OPTION POUR CLIMATS FROIDS</b>

E10 TRANSMISSION



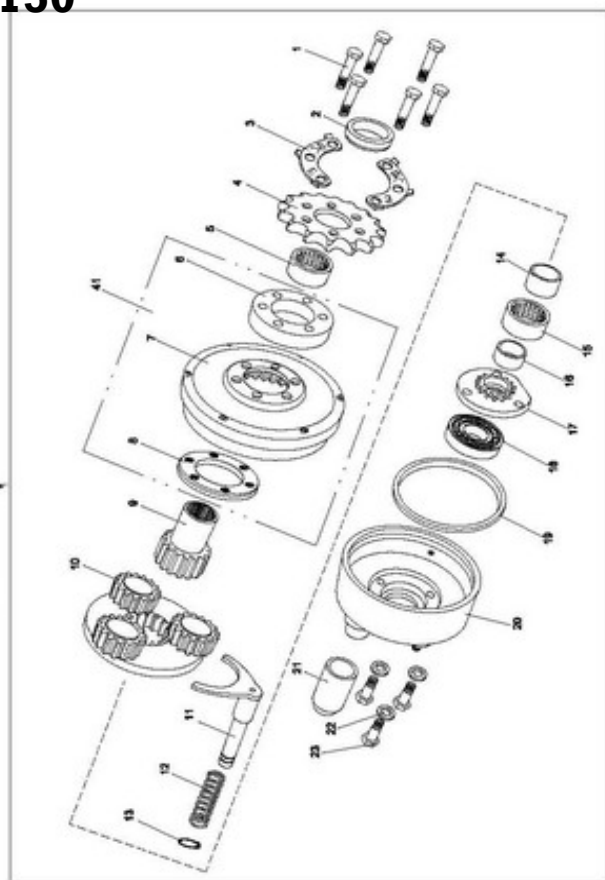
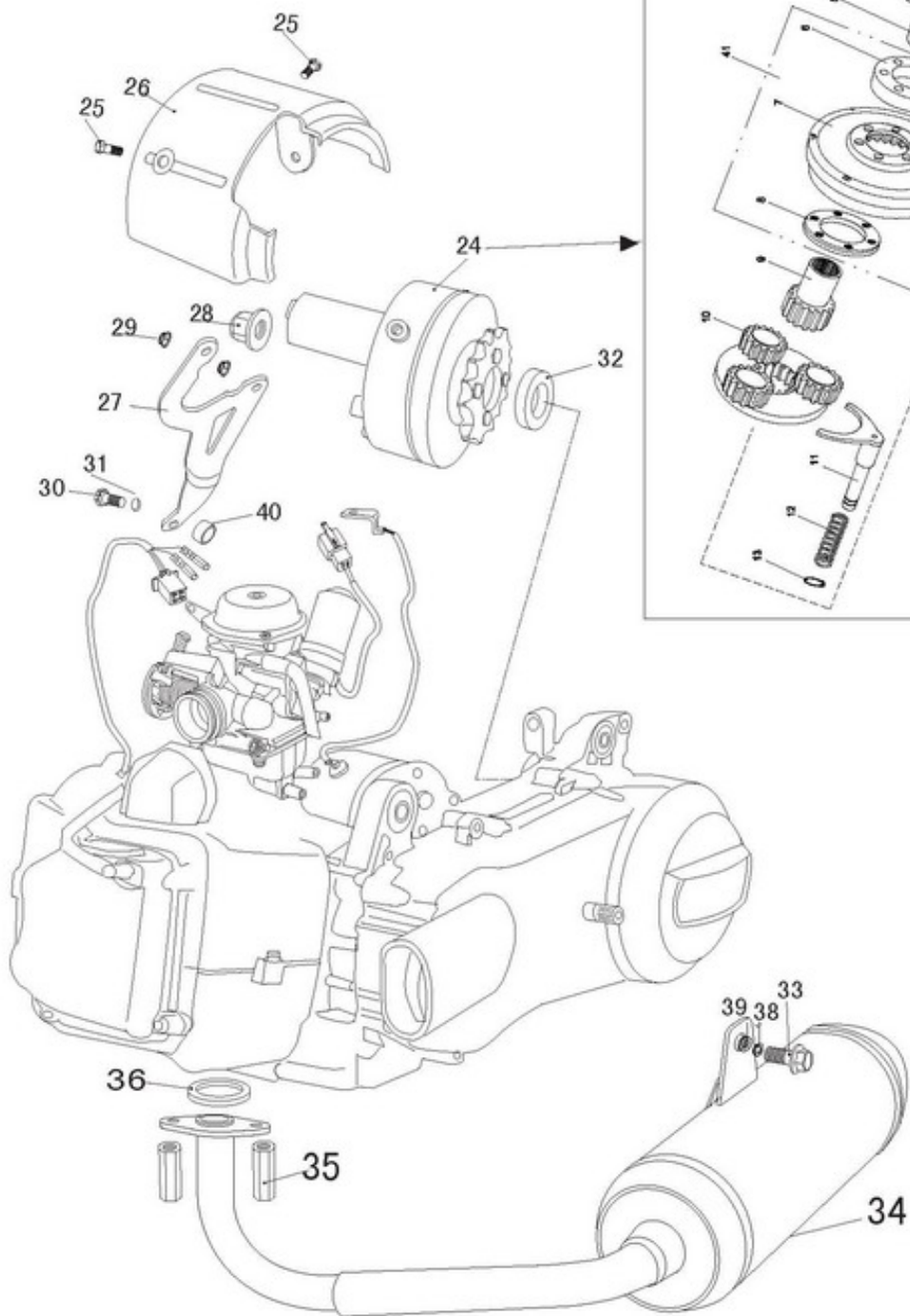
**E 10. ENGINE GEARBOX BR 150**

N°	REF	Q	DESIGNATION	NOTA BENE
1	C21410110001	1	TRANSMISSION COVER	
2	C2141021000	1	TRANSMISSION COVER GASKET	
3	93541001401	2	LOCK PIN	
4	96510630100	1	BALL BEARING	
5	96510600200	1	BALL BEARING	
6	96530622200	1	BALL BEARING.DOUBLE SEALED (6222)	
7	C61411000001	1	DRIVE SHAFT	
8	C61412000001	1	IDLE GEAR COMP.	
9	B5141410000	1	AXLC DRIVE	
10	C1141310000	1	FINAL GEAR	
11	92172000000	1	RETAINING RING C TYPE	
12	95572742702	1	OIL SEAL TC TYPE ( $\varphi 42 \times \varphi 25.8 \times 7t$ )	
13	92165000000	1	RETAINING RING C TYPE	
14	M2407430000	1	PIVOT,RR BRAKE SHOE	
15	95510800000	1	O RING ( 7.5*1.5 )	
16	90190805001	1	HEXAGON FLANGE BOLT	
17	90190804501	1	HEXAGON FLANGE BOLT	
18	90190804003	4	HEXAGON FLANGE BOLT	
19	90190803003	1	HEXAGON FLANGE BOLT	
20	92060800000	1	HEXAGON FLANGE NUT ( M8*1.25P )	
21	P1062150000	1	OIL BOLT	
22	95511300001	1	O-RING	
23	B5701090000	1	ENGINE REINFORCED PLATE	150
24	B5701080000	1	ENGINE REINFORCED PLATE	150
25	90190602002	2	HEXAGON FLANGE BOLT	

F1.

BR 50-150

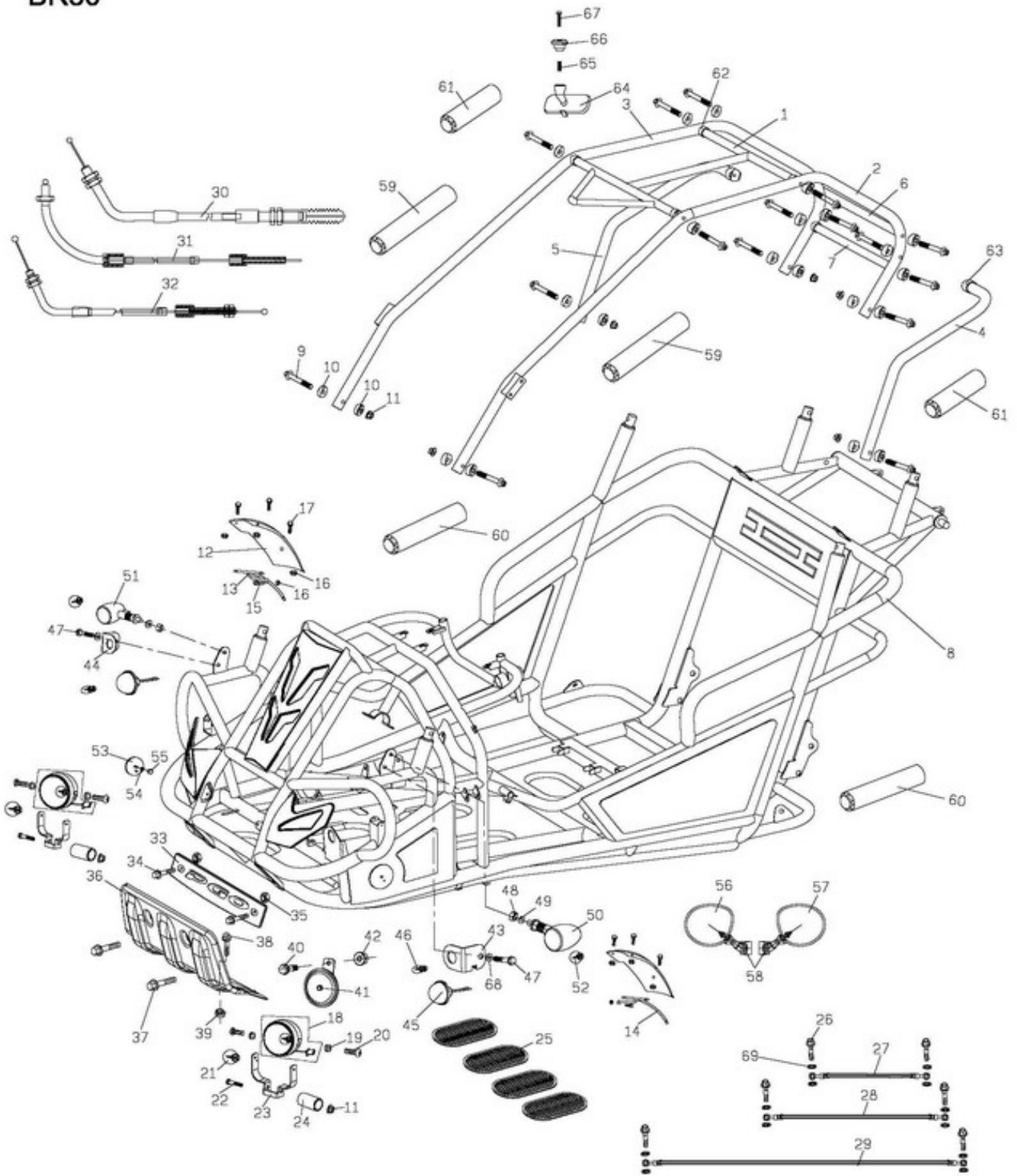
ENGING/MUFFLER




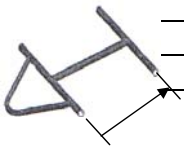
**F 1. REVERSE ASSY. BR50-150**

N°	REF	Q	DESIGNATION	NOTA BENE
1	90020602502	6	BOLT (M6*1.0*25)	
2	B5144560000	1	INTERNAL COLLAR	
3	B5144570000	2	KEEPER	
4	B54922000001	1	DRIVE SPROCKET	
5	96550263500	1	NEEDLE BEARING 26*35*20	
6	NA	1	FLANGE PLATE, GEAR CASE	
7	NA	1	GEAR CASE.L	
8	NA	1	FLANGE PLATE, GEAR CASE	
9	B54950200001	1	DRIVE GEAR	
10	B5495030000	1	COUNTER GEAR SHAFT COMP	
11	B54950500001	1	GEAR SHIFTING YOKE	
12	B54950400001	1	SPRING.GEAR SHIFTING YOKE	
13	B5706090000	1	CIRCLIP	
14	B54950800001	1	BUSHING.DRIVE GEAR	
15	96550223000	1	NEEDLE BEARING 22*30*14	
16	B54950800002	1	BUSHING.DRIVE GEAR	
17	B5495150000	1	GEAR SEAT	
18	96510600302	1	BEARING 6003 DDU	
19	B54950600001	1	RUBBER OIL SEAL	
20	B54950000001	1	GEAR CASE.R SILVER	
21	B54950900001	1	COVER.GEAR SHITING YOKE	
22	92140800009	3	WASHER. LOCK	
23	90020802100	3	SCREW. PAN M8*21	
24	<b>B514P0000002</b>	1	REVERSE ASS'Y	RFVBRUC5241002250~
25	90200601201	2	BOLT WASHER M6	
26	B51445400001	1	CHAIN PROTECTOR, RR	RFVBRUC5241002250~
27	<b>B51445200002</b>	1	<b>BRACKET, REVERSE</b>	<b>BR50</b>
27	<b>B51445200001</b>	1	<b>BRACKET, REVERSE</b>	<b>BR150 - RFVBRUC5241002250~</b>
28	92011600000	1	NUT FLANGE LOCK M16	
29	92020800006	2	NUT FLANGE LOCK M8	
30	90190803201	1	BOLT STRAP M8*1.25*32	
31	92110800000	1	SPRING WASHER	
32	<b>B51445100001</b>	1	<b>INTERNAL SPACER</b>	
33	90190804003	1	HEXAGON FLANGE BOLT	<b>BR150</b>
33	90190804003	1	HEXAGON FLANGE BOLT	<b>BR50</b>
33	90190802600	1	HEXAGON BOLT	<b>BR50</b>
34	B52810000001	1	MUFFLER ASSY	<b>BR150</b>
34	B6281000000	1	MUFFLER ASSY	<b>BR50</b>
35	92050800000	2	CASTLE NUT	<b>BR150</b>
35	92050600003	2	HEXAGON FLANGE NUT	<b>BR50</b>
36	E9281020000	1	GASKET,EXHAUST PIPE	<b>BR50&amp;150</b>
38	92110800000	1	SPRING WASHER	<b>BR150</b>
38	92110800000	2	SPRING WASHER	<b>BR50</b>
39	92140800000	1	PLAIN WASHER	<b>BR150</b>
39	92140800000	2	PLAIN WASHER	<b>BR50</b>
40	B67010700000	1	BUSHE	
41	B51440200001	1	INNER RING GEAR ASY.	6+7+8

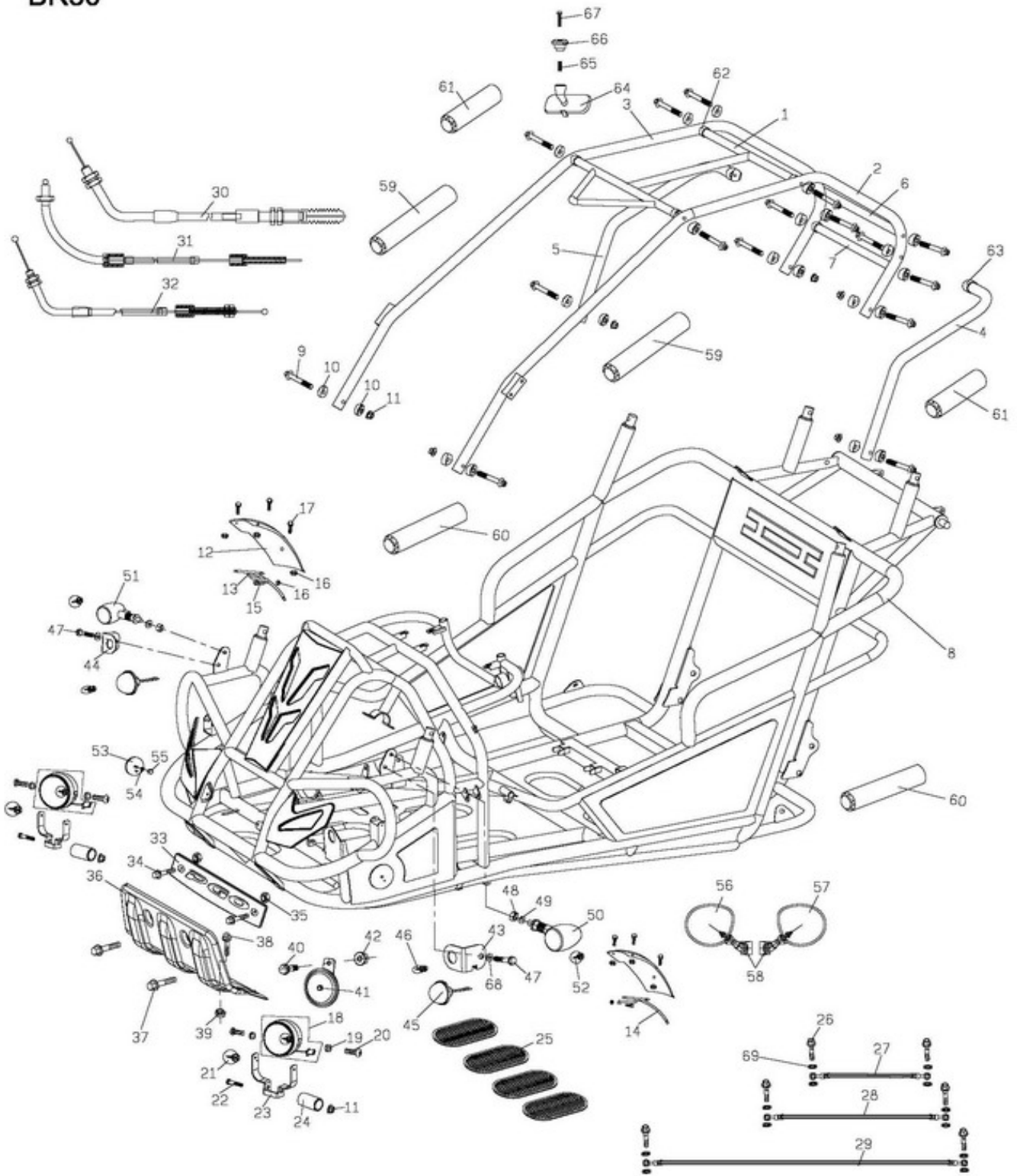
# F2. FRAME GROUP BR50



F 2. FRAME GROUP BR 50

N°	REF	Q	DESIGNATION	NOTA BENE
1	B54210101M01	1	ROLL CAGE CROSS. FRT (Red # 1M)	
1	B54210103D01	1	ROLL CAGE CROSS. FRT (Green #3D)	
1	B54210104X01	1	ROLL CAGE CROSS. FRT (Blue #4X)	
2	B54210201M01	1	ROLL CAGE BAR, LH(RED # 1M)	P=425cm
2	B54210203D01	1	ROLL CAGE BAR, LH (GREEN# 3D)	
2	B54210204X01	1	ROLL CAGE BAR, LH (BLUE # 4X)	
3	B542A0201M01	1	ROLL CAGE BAR. ,RH (RED # 1M)	
3	B542A0203D01	1	ROLL CAGE BAR. ,RH (GREEN # 3D)	
3	B542A0204X01	1	ROLL CAGE BAR. ,RH (BLUE # 4X)	
1	B54210111M01	1	ROLL CAGE CROSS. FRT (Red # 1M)	
1	B54210113D01	1	ROLL CAGE CROSS. FRT (Green #3D)	
1	B54210114X01	1	ROLL CAGE CROSS. FRT (Blue #4X)	
2	B54210211M01	1	ROLL CAGE BAR. ,LH(Left-seat DRIVER) (RED # 1M)	P=525cm
2	B54210213D01	1	ROLL CAGE BAR. ,LH(Left-seat DRIVER) (GREEN# 3D)	
2	B54210214X01	1	ROLL CAGE BAR. ,LH(Left-seat DRIVER) (BLUE # 4X)	
3	B542A0221M01	1	ROLL CAGE BAR. ,RH(Left-seat DRIVER) (Red #1M)	
3	B542A0223D01	1	ROLL CAGE BAR. ,RH(Left-seat DRIVER) (Green #3D)	
3	B542A0224X01	1	ROLL CAGE BAR. ,RH(Left-seat DRIVER) (Blue #4X)	
4	B54210401M01	1	ROLL CAGE BAR. L..SIDE (RED # 1M)	
4	B54210403D01	1	ROLL CAGE BAR. L..SIDE (GREEN# 3D)	
4	B54210404X01	1	ROLL CAGE BAR. L..SIDE (BLUE # 4U)	
5	B542A0401M01	1	ROLL CAGE BAR. RH.SIDE (RED # 1M)	
5	B542A0403D01	1	ROLL CAGE BAR. RH.SIDE (GREEN # 3D)	
5	B542A0404X01	1	ROLL CAGE BAR. RH.SIDE (BLUE # 4X)	
6	B54215201M0	1	ROLL CAGE BAR.MID.SIDE (Red)	
6	B54215203D0	1	ROLL CAGE BAR.MID.SIDE (Green)	
6	B54215204X0	1	ROLL CAGE BAR.MID.SIDE (Blue)	
7	B54210301M01	1	ROLL CAGE CROSS BAR. RR (RED # 1M)	
7	B54210303D01	1	ROLL CAGE CROSS BAR. RR (GREEN # 3D)	
7	B54210304X01	1	ROLL CAGE CROSS BAR.RR (BLUE # 4X)	
8	B64210011M00	1	FRAME COMP (Red # 1M)	
8	B64210013D00	1	FRAME COMP (Green#3D)	
8	B64210014X00	1	FRAME COMP (Blue#4X)	
9	90200805500	16	BOLT-WASHER M8*1.25*55	
10	B5701070000	22	R-WASHER	
11	92040800003	6	NUT.FLANGE LOCK M8	
12	B56210000001	2	FENDER. FRT	ROUGH SURFACE
13	B570G010000	1	BRACKEY. FRONT FENDER. RH	
14	B5706010000	1	BRACKEY.FRONT FENDER. LH	
15	90020604000	2	BOLT	
16	92400600001	8	NYLON LOCK NUT M6	
17	90200601600	6	BOLT-WASHER M6*16	
18	B6661000000	2	HEADLIGHT UNIT	
19	B67010800000	4	RUBBER WASHER	BR-50
20	90050502500	4	CR ROUND HD SCREW M5*25	
21	98211215001	2	BULB, HEADLAMP	
22	90200805000	2	BOLT-WASHER M8*1.25*50	

# F2. FRAME GROUP BR50



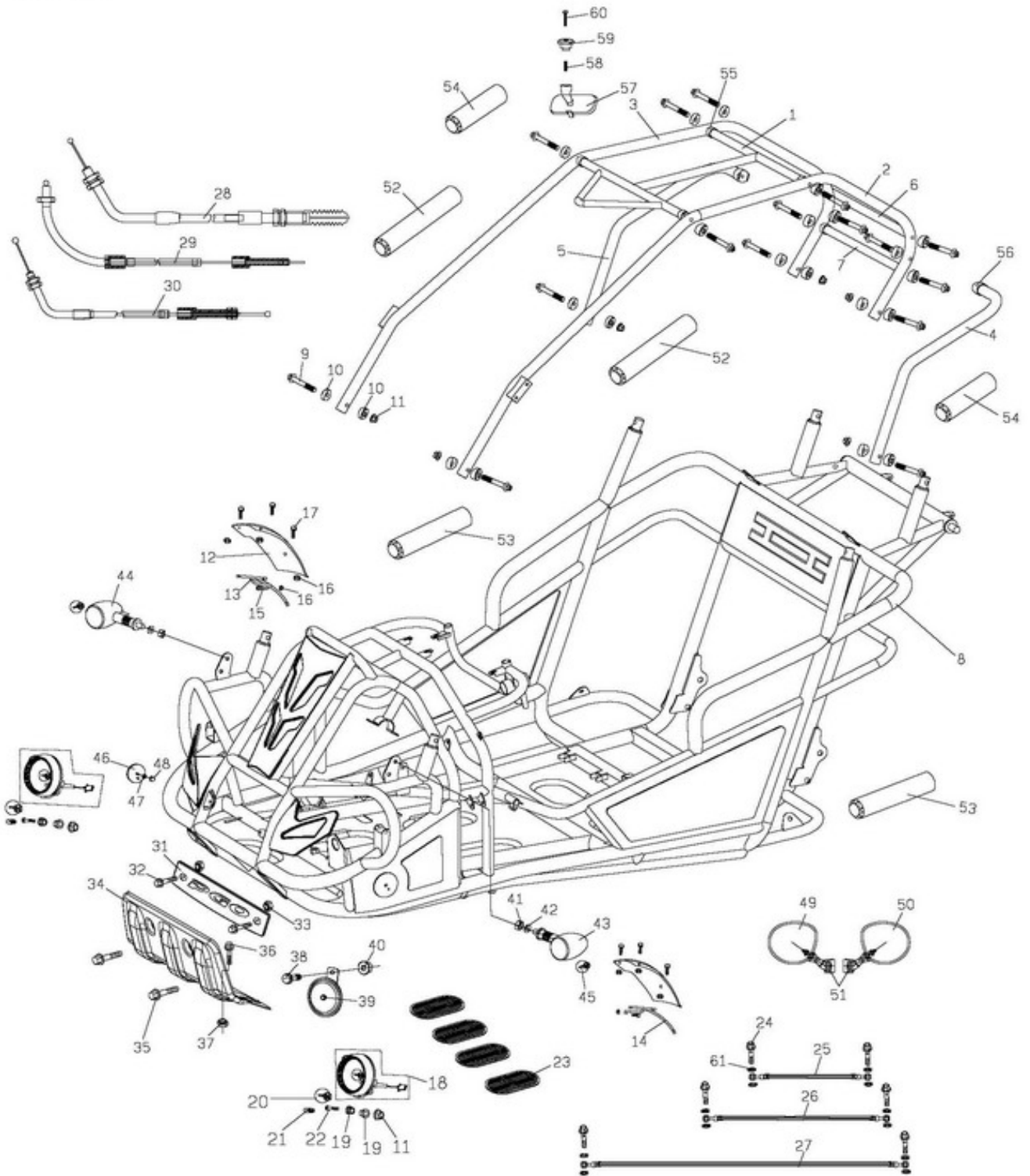


**F 2. FRAME GROUP BR 50**

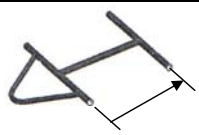
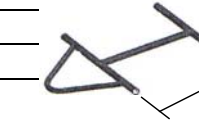
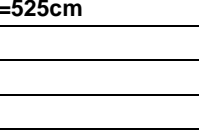
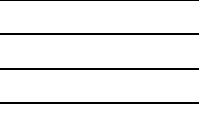
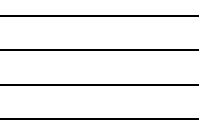
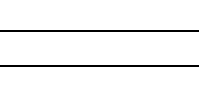





N°	REF	Q	DESIGNATION	NOTA BENE
23	B67010110000	2	FIXED BRACKET, HEADLIGHT	
24	B67010200000	2	BUSH	
25	B5624500000	4	FOOT PLATE. RUBBER	
26	B5403810000	6	BRAKE HOSE BOLT	
27	B5403600000	1	HOSE ASSY.LBRAKE 34"	
28	B54036000001	1	HOSE ASSY.R BRAKE 43"	
29	B5403700000	1	HOSE ASSY.RR BRAKE 75"	
30	B65446000000	1	CABLE COMP.THROTTLE	
31	B55444400000	1	CABLE COMP. REVERSE	
32	B55444410000	1	CABLE COMP. PARKING BRAKE	
33	B5421450000	1	PGO PLATE	
34	90200601600	2	BOLT-WASHERM6*16	
35	92400600001	2	NYLON LOCK NUT. (M6)	
36	B5701160770	1	FRONT PLANK	
37	90190801200	2	HEXAGON FLANGE BOLT (M8*12L)	
38	90190802000	1	HEXAGON FLANGE BOLT (M8*20L)	
39	92040800000	1	HEXAGON FLANGE NUT (M8)	
40	90190601200	1	HEXAGON FLANGE BOLT (M6*12L)	
41	B5583600000	1	HORN.	
42	92040600000	1	HEXAGON FLANGE NUT ( M6*1.0P )	
43	B67010310000	1	FIXED PLATE, POSITION LAMP (L)	
44	B670A0310000	1	FIXED PLATE, POSITION LAMP (R)	
45	B66636000000	2	POSITION LAMP.ASSY	
46	98231205001	2	POSITION BULB 12V-5W	12V 5W
47	90190601200	2	HEXAGON FLANGE BOLT (M6*12L)	
48	92021000001	2	HEXAGON NUT	
49	92141000000	2	PLAIN WASHER	
<b>50</b>	<b>B566C0100001</b>	<b>1</b>	<b>TIRN SIGNAL LAMP ASSY(FL)</b>	
<b>51</b>	<b>B566D0100001</b>	<b>1</b>	<b>TIRN SIGNAL LAMP ASSY(FR)</b>	
52	B5663130000	2	BULB, TURN SIGNAL LAMP	12V10W
53	B5669010000	2	SIDE REFLECTOR, FRONT	
54	NA	2	FRONT SIDE REFLECTOR COMP.	
55	NA	2	FRONT SIDE REFLECTOR COMP.	
56	B561F020000	1	RH BACK MIRROR	
57	B561F010000	1	LH BACK MIRROR	
58	B5616000000	1	REAR MIRROR COMP.	
59	B5701010000	2	COVER. ROBE-RAIL, LONG	
60	B57010100001	2	COVER, MIDDLE RAIL	
61	B57010100002	2	COVER, SHORT RAIL	
62	B5421050000	8	TUBE SEAT	
63	B5421060000	2	TUBE SEAT(32D)	
64	B5616040000	1	MIRROR ASSY.	
65	B5616020000	1	SPRING.REAR MIRROR	
66	B5616010000	1	MOUNT.REAR MIRROR	
67	B5616030000	1	BOLT.	
68	92140600017	2	PLAIN WASHER	
69	92141000002	12	PLAIN WASHER FOR BRAKE HOSE BO	

# F3.FRAME GROUP

BR150

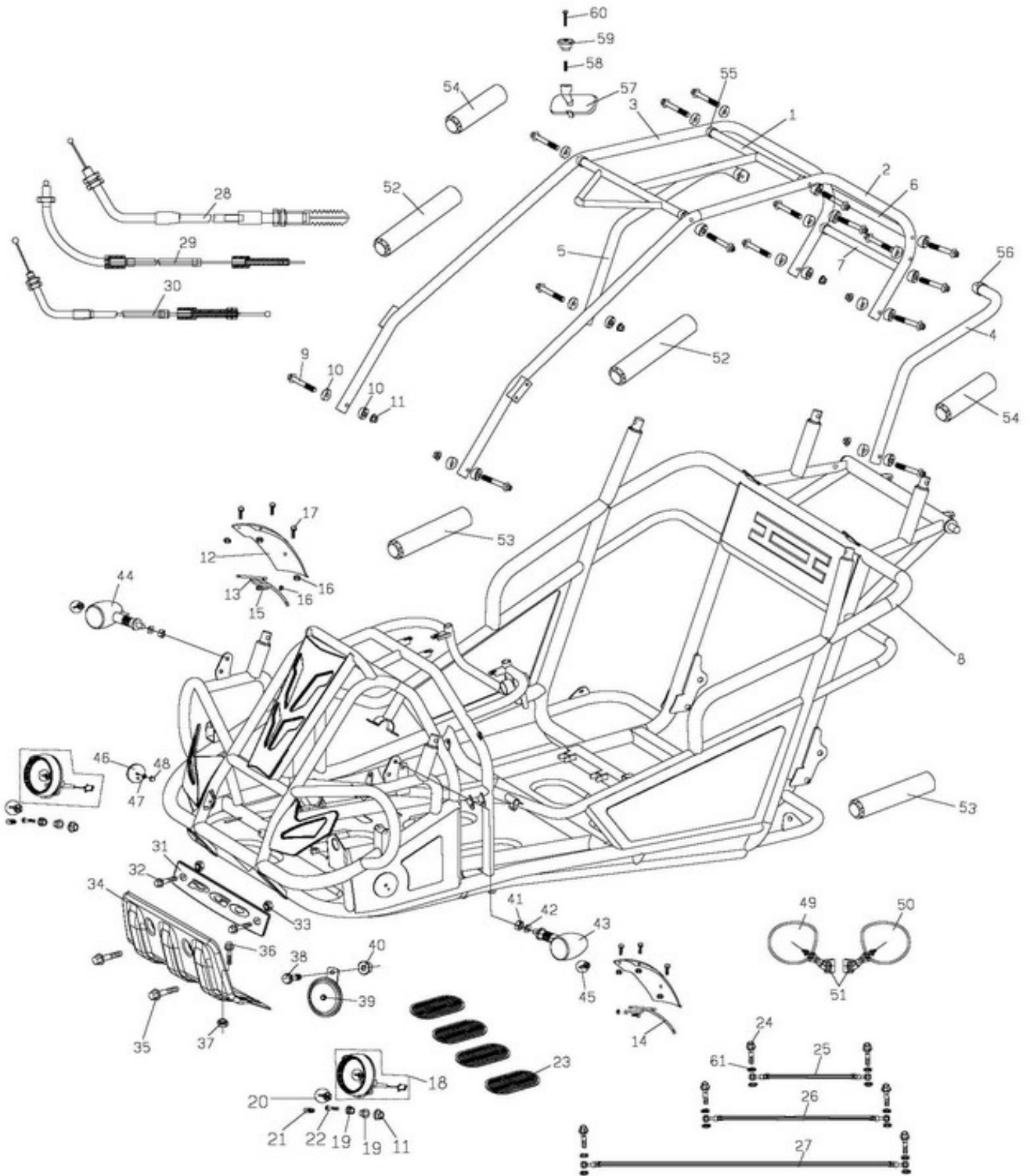


**F 3 FRAME GROUP BR 150**

N°	REF	Q	DESIGNATION	NOTA BENE
1	B54210101M01	1	ROLL CAGE CROSS. FRT (Red # 1M)	
1	B54210103D01	1	ROLL CAGE CROSS. FRT (Green #3D)	
1	B54210104X01	1	ROLL CAGE CROSS. FRT (Blue #4X)	
2	B54210201M01	1	ROLL CAGE BAR, LH(RED # 1M)	
2	B54210203D01	1	ROLL CAGE BAR, LH (GREEN# 3D)	
2	B54210204X01	1	ROLL CAGE BAR, LH (BLUE # 4X)	
3	B542A0201M01	1	ROLL CAGE BAR. ,RH (RED # 1M)	
3	B542A0203D01	1	ROLL CAGE BAR. ,RH (GREEN # 3D)	
3	B542A0204X01	1	ROLL CAGE BAR. ,RH (BLUE # 4X)	
1	B54210111M01	1	ROLL CAGE CROSS. FRT (Red #1M)	
1	B54210113D01	1	ROLL CAGE CROSS. FRT (Green #3D)	
1	B54210114X01	1	ROLL CAGE CROSS. FRT (Blue #4X)	
2	B54210211M01	1	ROLL CAGE BAR. ,LH(Left-seat DRIVER) (RED # 1M)	
2	B54210213D01	1	ROLL CAGE BAR. ,LH(Left-seat DRIVER) (GREEN# 3D)	
2	B54210214X01	1	ROLL CAGE BAR. ,LH(Left-seat DRIVER) (BLUE # 4X)	
2	B54210221M01	1	ROLL CAGE BAR. ,LH(Right-seat DRIVER) (Red #1M)	
2	B54210223D01	1	ROLL CAGE BAR., LH(Right-seat DRIVER) (GREEN #3D)	
2	B54210224X01	1	ROLL CAGE BAR. ,LH(Right-seat DRIVER) (Blue #4X)	
3	B542A0211M01	1	ROLL CAGE BAR. ,RH(Right-seat DRIVER) (RED # 1M)	
3	B542A0213D01	1	ROLL CAGE BAR. ,RH(Right-seat DRIVER) (GREEN #3D)	
3	B542A0214X01	1	ROLL CAGE BAR. ,RH(Right-seat DRIVER) (BLUE # 4X)	
3	B542A0221M01	1	ROLL CAGE BAR. ,RH(Left-seat DRIVER) (Red #1M)	
3	B542A0223D01	1	ROLL CAGE BAR. ,RH(Left-seat DRIVER) (Green #3D)	
3	B542A0224X01	1	ROLL CAGE BAR. ,RH(Left-seat DRIVER) (Blue #4X)	
4	B54210401M01	1	ROLL CAGE BAR. L..SIDE (RED # 1M)	
4	B54210403D01	1	ROLL CAGE BAR. L..SIDE (GREEN# 3D)	
4	B54210404X01	1	ROLL CAGE BAR. L..SIDE (BLUE # 4U)	
5	B542A0401M01	1	ROLL CAGE BAR. RH.SIDE (RED # 1M)	
5	B542A0403D01	1	ROLL CAGE BAR. RH.SIDE (GREEN # 3D)	
5	B542A0404X01	1	ROLL CAGE BAR. RH.SIDE (BLUE # 4X)	
6	B54215201M0	1	ROLL CAGE BAR.MID.SIDE (Red)	
6	B54215203D0	1	ROLL CAGE BAR.MID.SIDE (Green)	
6	B54215204X0	1	ROLL CAGE BAR.MID.SIDE (Blue)	
7	B54210301M01	1	ROLL CAGE CROSS BAR. RR (RED # 1M)	
7	B54210303D01	1	ROLL CAGE CROSS BAR. RR (GREEN # 3D)	
7	B54210304X01	1	ROLL CAGE CROSS BAR.RR (BLUE # 4X)	

# F3.FRAME GROUP

BR150

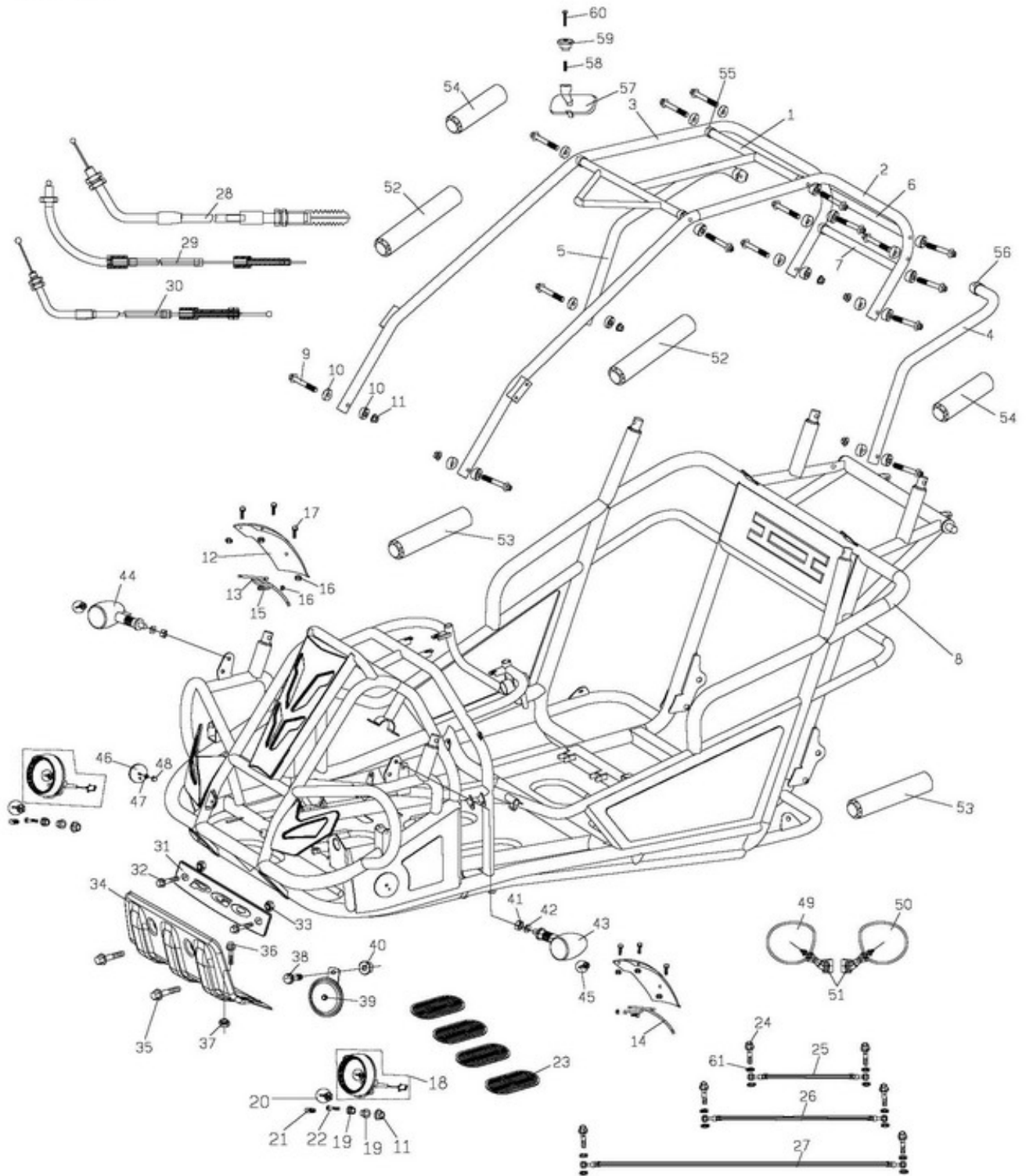


**F 3 FRAME GROUP BR 150**

N°	REF	Q	DESIGNATION	NOTA BENE
8	B54210001M02	1	FRAME COMP(LH-SEAT DRIVER) (Red# 1M)	FOR LH-seat DRIVER
8	B54210003D02	1	FRAME COMP(LH-SEAT DRIVER) (Green #3D)	
8	B54210004X02	1	FRAME COMP(LH-SEAT DRIVER) (Blue #4X)	
8	B54210001M03	1	FRAME COMP(RH-SEAT DRIVER) (Red #1M)	FOR RH-seat DRIVER
8	B54210003D03	1	FRAME COMP(RH-SEAT DRIVER) (Green #3D)	
8	B54210004X03	1	FRAME COMP(RH-SEAT DRIVER) (Blue #4X))	
8	B54210011M02	1	FRAME COMP(LH-SEAT DRIVER) (Red #1M)	FROM 2006.03
8	B54210013D02	1	FRAME COMP(LH-SEAT DRIVER) (Green #3D)	FROM 2006.03
8	B54210014X02	1	FRAME COMP(LH-SEAT DRIVER) (Blue #4X)	FROM 2006.03
8	B54210011M03	1	FRAME COMP(RH-SEAT DRIVER) (Red #1M))	FROM 2006.03
8	B54210013D03	1	FRAME COMP(RH-SEAT DRIVER) (Green #3D))	FROM 2006.03
8	B54210014X03	1	FRAME COMP(RH-SEAT DRIVER) (Blue #4X)	FROM 2006.03
9	90200805500	16	BOLT-WASHER M8*1.25*55	
10	B5701070000	22	R-WASHER	
11	92040800003	6	NUT.FLANGE LOCK M8	
12	B56210000001	2	FENDER. FRT	ROUGH SURFACE
13	B570G010000	1	BRACKEY. FRONT FENDER. RH	
14	B5706010000	1	BRACKEY.FRONT FENDER. LH	
15	90020604000	2	BOLT	
16	92400600001	8	NYLON LOCK NUT M6	
17	90200601600	6	BOLT-WASHER M6*16	
18	B56610000001	2	HEADLIGHT UNIT	
19	B5661020000	4	RUBBER MOUNT.HEADLAMP	
20	B5661010000	2	BULB, HEADLAMP	
21	98231205001	2	POSITION LAMP	
22	90200805000	2	BOLT-WASHER M8*1.25*50	
23	B5624500000	4	FOOT PLATE. RUBBER	
24	B5403810000	6	BRAKE HOSE BOLT	
25	B5403600000	1	HOSE ASSY.LBRAKE 34"	
26	B54036000001	1	HOSE ASSY.R BRAKE 43"	
27	B5403700000	1	HOSE ASSY.RR BRAKE 75"	FOR LH-seat DRIVER
27	B54037000002	1	HOSE ASSY.RR BRAKE	FOR RH-seat DRIVER
28	B5544800000	1	CABLE COMP.THROTL	FOR LH-seat DRIVER
28	B55448000001	1	CABLE COMP.THROTL	FOR RH-seat DRIVER
29	B5544400000	1	CABLE COMP. REVERSE	FOR LH-seat DRIVER
30	B5544410000	1	CABLE COMP. PARKING BRAKE	FOR LH-seat DRIVER
31	B5421450000	1	PGO PLATE	
32	90200601600	2	BOLT-WASHERM6*16	
33	92400600001	2	NYLON LOCK NUT. (M6)	
34	B5701160770	1	FRONT PLANK	
35	90190801200	2	HEXAGON FLANGE BOLT (M8*12L)	
36	90190802000	1	HEXAGON FLANGE BOLT (M8*20L)	
37	90190802000	1	HEXAGON FLANGE NUT (M8)	
38	90190601200	1	HEXAGON FLANGE BOLT (M6*12L)	
39	B5583600000	1	HORN.	

# F3.FRAME GROUP

BR150



**F 3 FRAME GROUP BR 150**

N°	REF	Q	DESIGNATION	NOTA BENE
40	92040600000	1	HEXAGON FLANGE NUT ( M6*1.0P )	
41	92021000001	2	HEXAGON NUT	
42	92141000000	2	PLAIN WASHER	
<b>43</b>	<b>B566C0100001</b>	<b>1</b>	<b>TIRN SIGNAL LAMP ASSY(FL)</b>	
<b>44</b>	<b>B566D0100001</b>	<b>1</b>	<b>TIRN SIGNAL LAMP ASSY(FR)</b>	
45	B5663130000	2	BULB, TURN SIGNAL LAMP	
46	B5669010000	2	SIDE REFLECTOR, FRONT	
47	NA	1	FRONT SIDE REFLECTOR COMP.	
48	NA	1	FRONT SIDE REFLECTOR COMP.	
49	B561F020000	1	RH BACK MIRROR	
50	B561F010000	1	LH BACK MIRROR	
51	B5616000000	1	REAR MIRROR COMP.	
52	B5701010000	2	COVER. ROBE-RAIL, LONG	
53	B57010100001	2	COVER, MIDDLE RAIL	
54	B57010100002	2	COVER, SHORT RAIL	
55	B5421050000	8	TUBE SEAT	
56	B5421060000	2	TUBE SEAT(32D)	
57	B5616040000	1	MIRROR ASSY.	
58	B5616020000	1	SPRING.REAR MIRROR	
59	B5616010000	1	MOUNT.REAR MIRROR	
60	B5616030000	1	BOLT.	
60	B5616030000	1	BOLT.	
61	92141000002	12	PLAIN WASHER FOR BRAKE HOSE BO	



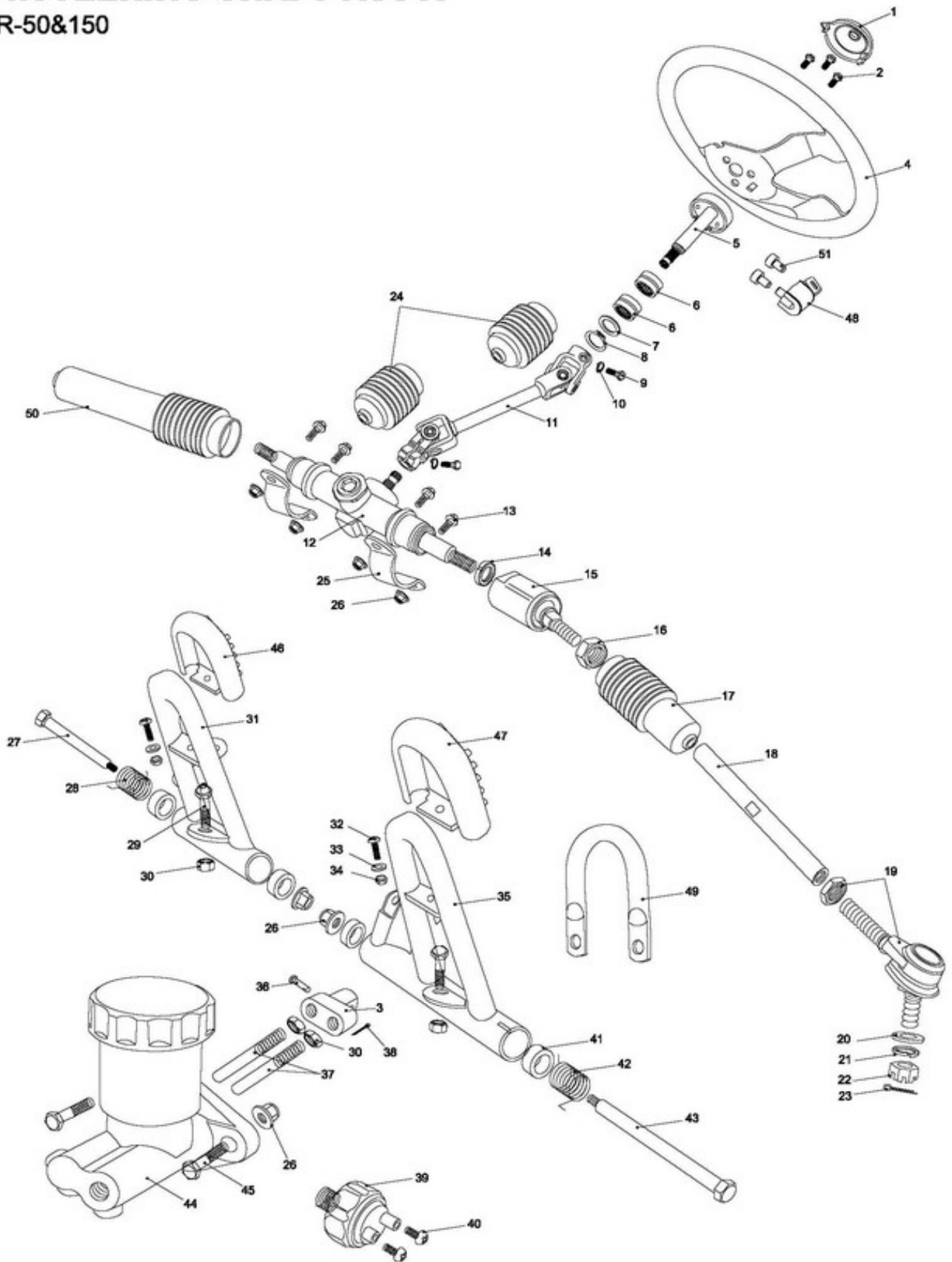


**F 4. STEERING SHAFT ASSY. BR50-150**

N°	REF	Q	DESIGNATION	NOTA BENE
1	B56120300001	1	COVER. STEERING BOLT	
2	90190601200	3	HEXAGON FLANGE BOLT (M6*12L)	RFVBRUC5241000762~
3	B5612040000	1	BRACKEY. SPINDLE	
4	B56120000001	1	STEERING WHEEL	
5	B5612010000	1	STEERING SHAFT	MUST PAIRS
6	B5612050000	2	BUSH. STEERING SHAFT	WHITE plastics
5	B5612011000	1	STEERING SHAFT	MUST PAIRS
6	B76120500000	2	BUSH. STEERING SHAFT NEEDLE BEARING	NEEDLE BEARING
7	B5612060000	1	WASHER. SPECIAL	
8	B5706080000	1	CIRCLIP	
9	90020802503	2	BOLT M8*25	
10	92110800004	2	WASHER. LOCK	
11	B5612020000	1	STEERING KNUCKLE	12 CM
12	B5445000000	1	STEERING GEAR	
13	90200802500	4	BOLT-WASHER M8*1.25*25	
14	B5445080000	2	ROUND NUT M16*1.5	
15	B5445010000	2	STEERING BALL JOINT	
16	B5445020000	2	NUT	
17	B5445030000	1	DUST COVER. L BALL JOINT	
18	B5445040000	2	TIE ROD	
19	B5445050000	2	ROD END	
20	92141000014	2	WASHER. FLAT	
21	92111000003	2	WASHER. LOCK	
22	92071000000	2	NUT. CASTLE M10	
23	93520201501	2	PIN.COTTER 2*15	
24	B77060400000	2	DUSTFROOF COVER	
<b>25</b>	<b>B54450701M0</b>	<b>2</b>	<b>BRACKET,STEERING GEAR(RED#1M)</b>	
<b>25</b>	<b>B54450703D0</b>	<b>2</b>	<b>BRACKET,STEERING GEAR(GREEN #3D)</b>	
<b>25</b>	<b>B54450704X0</b>	<b>2</b>	<b>BRACKET,STEERING GEAR(BLUE #4X)</b>	
26	92040800003	8	NUT.FLANGE LOCK M8	
27	B5404260000	1	BOLT. THROTTLE PEDAL M8x1.25	
28	B5404270000	1	SPRING. THROTTLE PEDAL RETUR	
29	90200804000	2	BOLT-WASHER M8*1.25*40	
30	92020800005	2	NUT M8	
31	B5404210000	1	THROTTLE PEDAL COMP.	
32	90070501501	2	SCREW. PAN M5*15	
33	92140500017	2	PLAIN WASHER	
34	92400500000	2	NYLON LOCK NUT M5	
35	B5404200000	1	BRAKE PEDAL COMP.	
36	93540602400	1	PIN. 6*24	
37	B5445090000	2	PIN. SPINDLE	
38	93520201201	1	PIN.COTTER 2*12	

# F4. STEERING SHAFT ASSY.

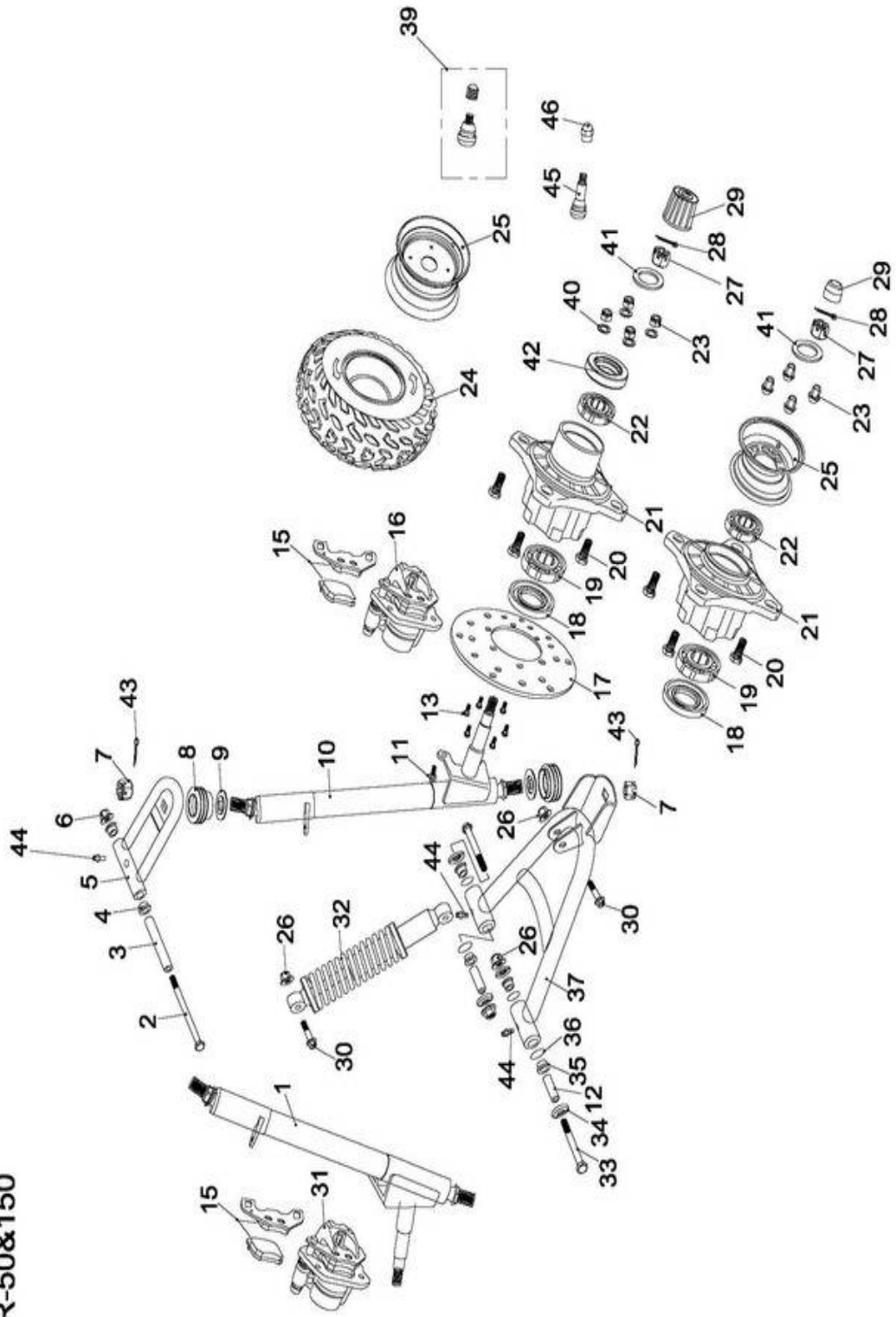
BR-50&150



**F 4. STEERING SHAFT ASSY. BR50-150**

N°	REF	Q	DESIGNATION	NOTA BENE
39	B5543900000	1	SWITCH ASSY. BRAKE LAMP	
40	90070300600	2	SCREW. PAN M3*6	
41	B5404240000	4	BUSH. PEDAL	
42	B5404250000	1	SPRING. BRAKE PEDAL RETURN.	
43	B5404230000	1	BOLT.BRAKE PEDAL M8x1.25x22	
44	B5403100000	1	MASTER CYLINDER	
45	90200802700	2	BOLT-WASHER M8*1.25*27	
46	B5404220000	1	"GO" PEDAL PAD	
47	B5404280000	1	"STOP" PEDAL PAD	
48	B5553000000	1	BURGLARPROOF LOCK COMP.	
49	B5706110000	1	MASTER CYLINDER BRACKET	
<b>50</b>	<b>B5445060000</b>	<b>1</b>	<b>DUST COVER. R BALL JOINT</b>	
<b>51</b>	<b>90260601001</b>	<b>2</b>	<b>HEAD INNER BOLT</b>	
52	B5403900000	1	OIL SEAL SET FOR MASTER CYLINDER	

**F5-SUSPENSION ARM ASSY.**  
BR-50&150

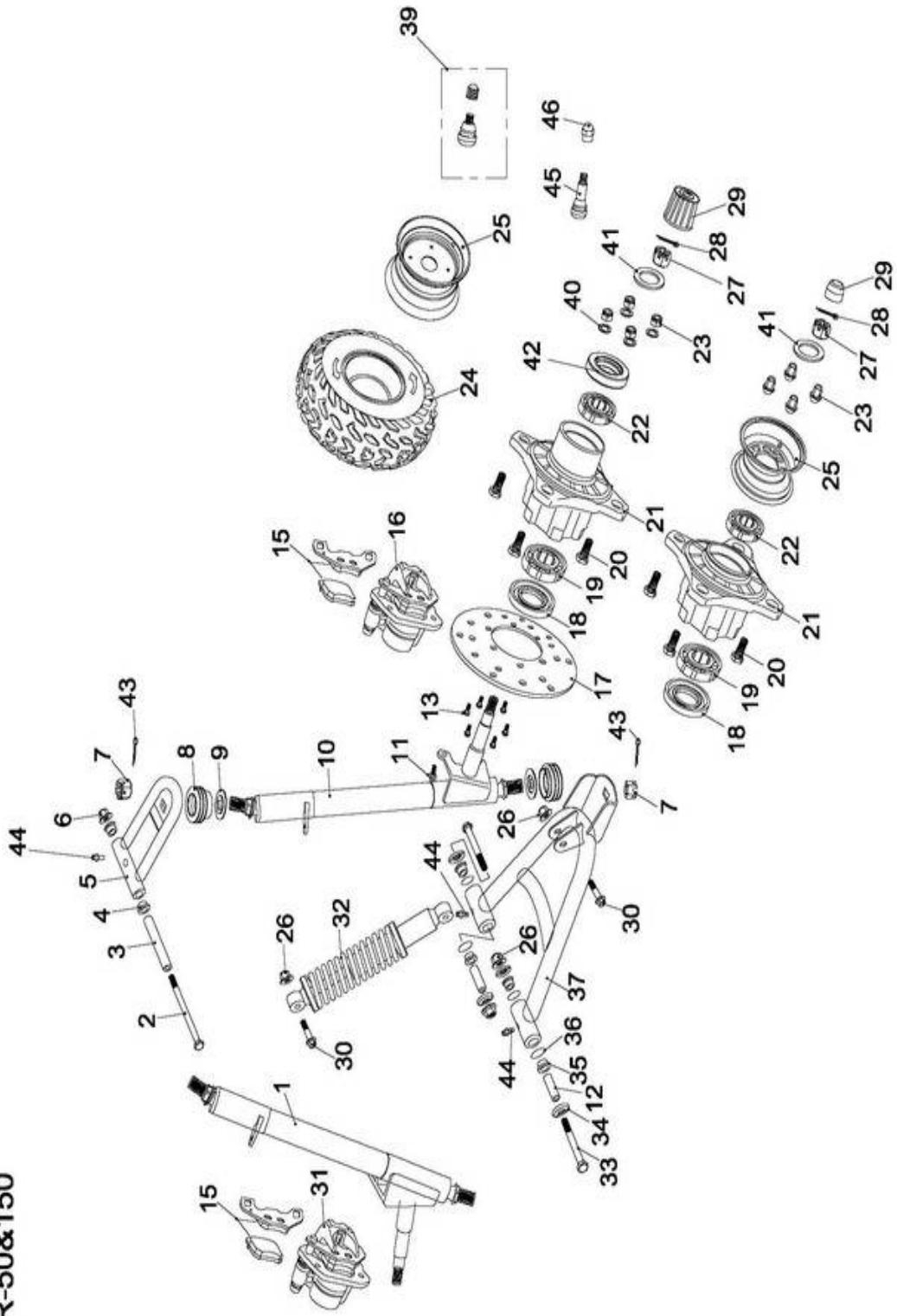


F 5. SUSPENSION ARM ASSY. BR50-150

N°	REF	Q	DESIGNATION	NOTA BENE
1	B54211100001	1	SUPPORT. STRUT AND SPINDLE, RH	for iron wheel
1	B54211100002	1	SUPPORT. STRUT AND SPINDLE, RH	for AL wheel
2	90200810500	2	BOLT-WASHER M8*1.25*105	
3	B5446030000	2	COLLAR.UPPER SUSPENSION ARM	
4	B5446020000	4	BUSH.UPPER SUSPENSION ARM	
5	B5446010000	2	UPPER SUSPENSION ARM	
6	92040800003	2	NUT.FLANGE LOCK M8	
7	92091200001	4	SLOTTING LOCK NUT M12	M12 250
8	B5446040000	4	DUST SEAL.BALL HEAD	
9	B5446050000	4	SPACER.BALL HEAD	
10	B54211200001	1	SUPPORT. STRUT AND SPINDLE, LH	for iron wheel
10	B54211200002	1	SUPPORT. STRUT AND SPINDLE, LH	for AL wheel
11	90200801400	4	BOLT STRAP M8*14	
12	B5447030000	4	COLLAR.LOWER SUSPENSION ARM	
13	90200601200	12	BOLT STRAP M6*12	
14	NA	1	FRT.WHEEL ASSY. , RH	
15	B5403310000	2	PAD SET, FR.BRAKE CALIPER	
16	B5403300000	1	FRONT BRAKE CALIPER, LH	
17	B54033500000	2	DISC, FR. BRAKE	
18	95572547700	2	DUST SEAL 47*25-7	
19	96510620404	2	BEARING 6204	
20	90201003100	8	BOLT. TIRE M10*1.25*31	
21	B54011300001	2	HUB.FR.WHEEL	for iron wheel
21	B54011300002	2	HUB.FR.WHEEL	for AL wheel
22	96510620303	2	BEARING 6203	
23	92041000003	8	NUT.FLANGE LOCK M10	for iron wheel
23	92051000002	8	HEXAGON CAP NUT	for AL wheel
24	B540B3200001	2	TIRE, FRT (ON ROAD)	on road
24	B540B3200002	2	TIRE, FRT (off road )	off road
25	B5401100770	2	FRT WHEEL (SILVER)	for iron wheel
25	B54011000001	2	RIM, FRT (SILVER)	for AL wheel
25	B54011000002	2	FRT WHEEL (AL RIM)	AL rim polishing
26	92041000003	8	NUT, FLANGE LOCK M10	
27	92071400000	2	NUT. CASTLE M14	
28	93520303000	2	PIN.COTTER 3*30	
29	B54013100001	2	COVER HUB	for iron wheel
29	B54071500001	2	COVER HUB (FOR AL RIM)	for AL rim

# F5.SUSPENSION ARM ASSY.

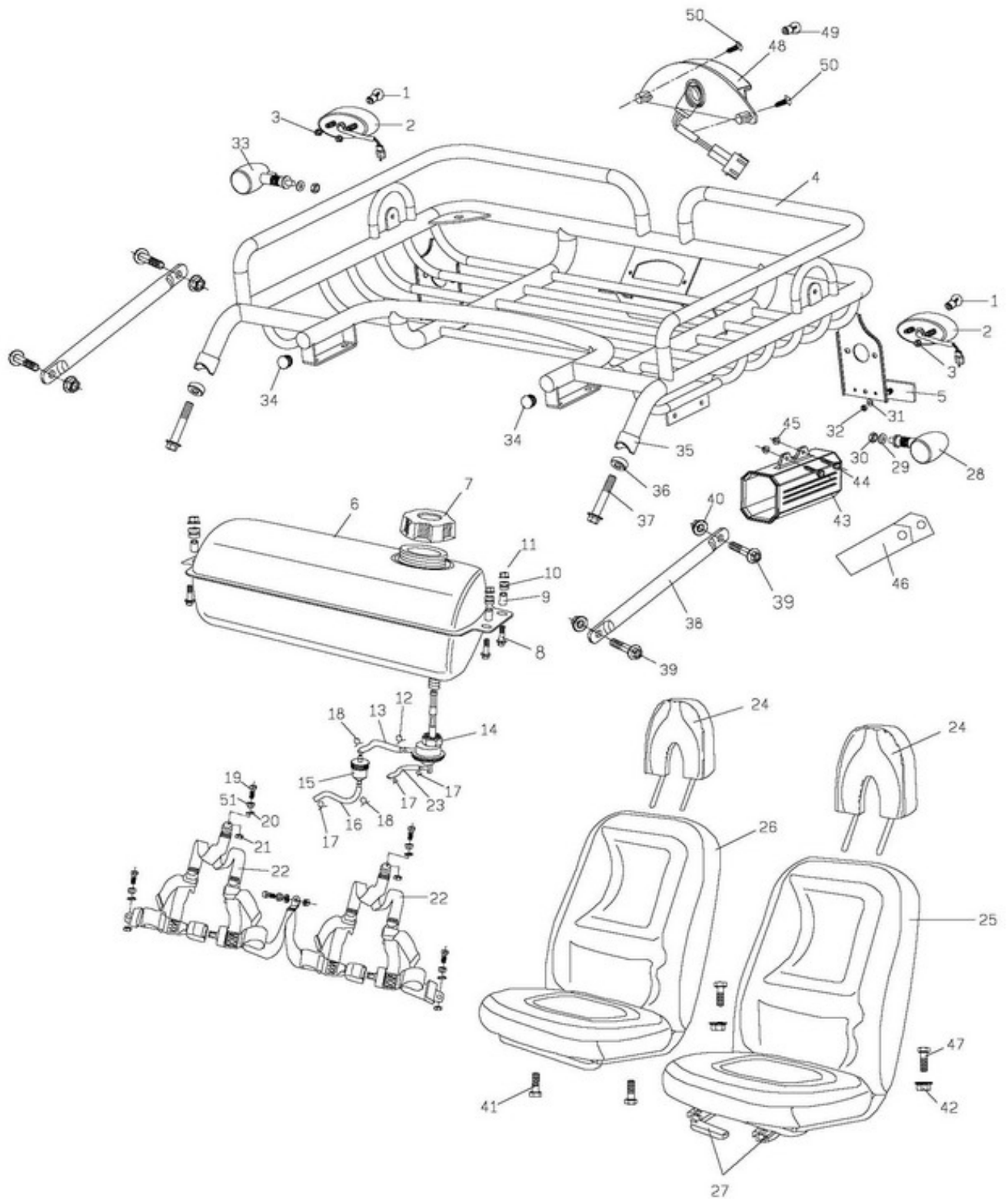
BR-50&150



F 5. SUSPENSION ARM ASSY. BR50-150

N°	REF	Q	DESIGNATION	NOTA BENE
30	90201004000	4	BOLT-WASHER M10*1.25*40	
31	B540C300000	1	FRONT BRAKE CALIPER, RH	
32	<b>B5471000000</b>	<b>2</b>	<b>CUSHION ASSY., FRT</b>	
33	90201008000	4	BOLT-WASHER M10*1.25*80	
34	B5447010000	8	DUST CAP.LOWER SUSPENSION ARM	
35	B5447020000	8	BUSH.LOWER SUSPENSION ARM	
36	95512100000	8	O-RING 21.2*2.65	
37	B5447000000	2	LOWER SUSPENSION ARM ASSY	
38	NA	1	FRT.WHEEL ASS'Y., LH	
39	<b>X040B330000</b>	<b>2</b>	<b>VALVE, TIRE</b>	for iron wheel
40	92141000014	8	WASHER. FLAT	for iron wheel
41	92141400012	<b>2</b>	WASHER. FLAT	
42	95572742701	<b>2</b>	DUST SEAL 47*25-7	for iron wheel
43	93520302600	<b>2</b>	COTTER PIN	
44	B57012100000	<b>6</b>	OIL FILLER VALVE	<b>RFVBRUC5241001910~</b>
45	B77010600000	2	VALVE, TIRE	for AL rim
46	B77015300000	2	VALVE, TIRE CAP	for AL rim

# F6.REAR CARGO RACK/SEAT/BELT BR50&150

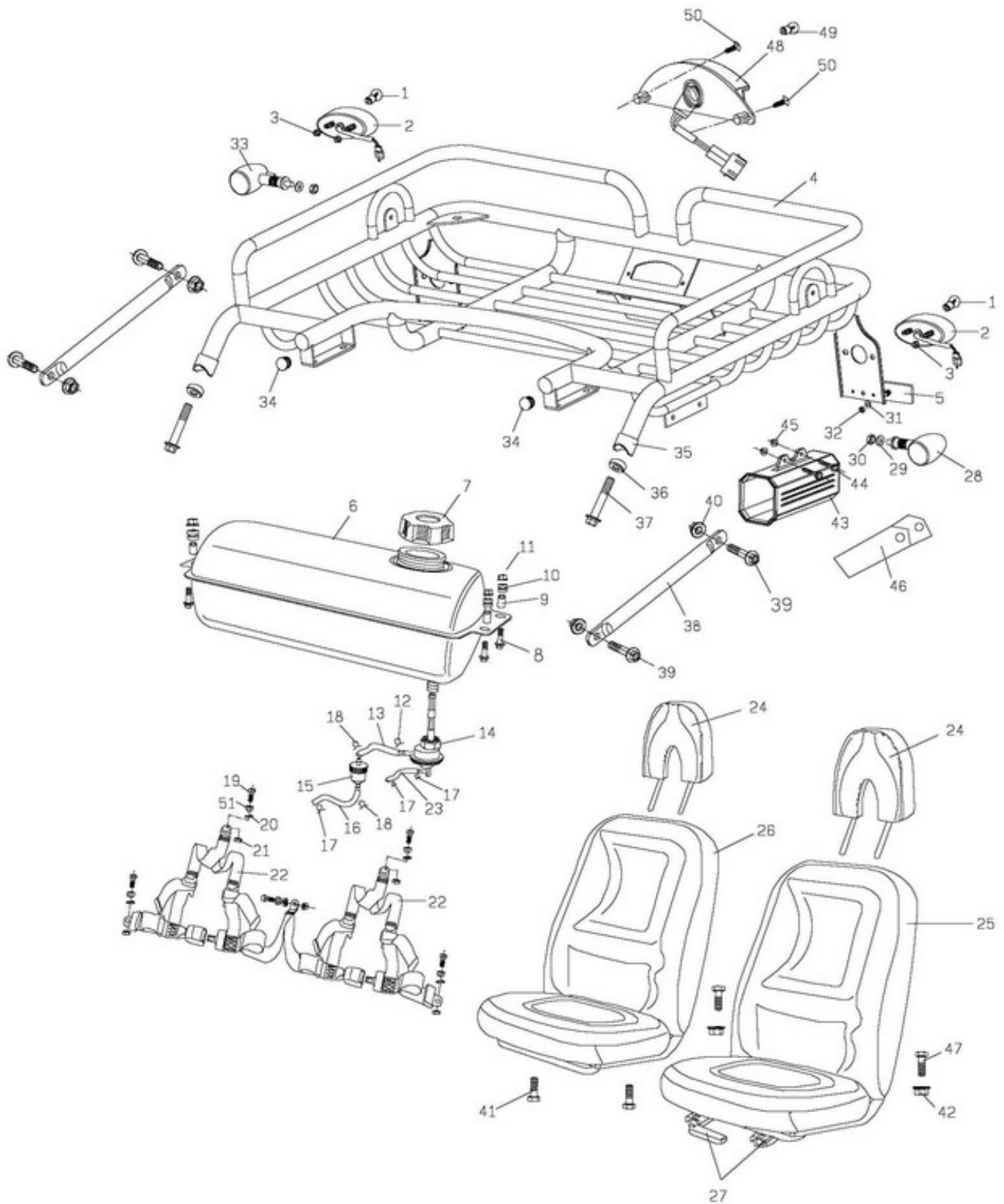




**F 6. REAR CARGO RACK/SEAT/BELT BR50-150**

N°	REF	Q	DESIGNATION	NOTA BENE
1	P166F0400006	2	BULB, BACK LAMP	
2	P16660000007	2	TAIL LAMP ASSY	
3	92040600000	4	HEXAGON FLANGE NUT ( M6*1.0P )	
4	<b>B56762001M0</b>	1	<b>REAR CARGO RACK (RED)</b>	FOR 8.0 LITER FUEL TANK
4	<b>B56762003D0</b>	1	<b>REAR CARGO RACK (GREEN)</b>	FOR 8.0 LITER FUEL TANK
4	<b>B56762004X0</b>	1	<b>REAR CARGO RACK (BLUE)</b>	FOR 8.0 LITER FUEL TANK
4	<b>B56762001M01</b>	1	<b>REAR CARGO RACK (RED)</b>	FOR 10 LITER FUEL TANK
4	<b>B56762003D01</b>	1	<b>REAR CARGO RACK (GREEN)</b>	FOR 10 LITER FUEL TANK
4	<b>B56762004X01</b>	1	<b>REAR CARGO RACK (BLUE)</b>	FOR 10 LITER FUEL TANK
5	C5669000000	2	REFLECTOR	
6	<b>B55215001M0</b>	1	<b>TANK COMP. 8L FUEL (RED #1M)</b>	8.0 LITER
6	<b>B55215003D0</b>	1	<b>TANK COMP. 8L FUEL (GREEN)</b>	8.0 LITER
6	<b>B55215004X0</b>	1	<b>TANK COMP. 8L FUEL (BLUE)</b>	8.0 LITER
6	<b>B55215001M01</b>	1	<b>TANK COMP. 10L FUEL (RED #1M)</b>	10.0 LITER FOR 150 ONLY
6	<b>B55215003D01</b>	1	<b>TANK COMP. 10L FUEL (GREEN #3D)</b>	10.0 LITER FOR 150 ONLY
6	<b>B55215004X01</b>	1	<b>TANK COMP. 10L FUEL (BLUE #4X)</b>	10.0 LITER FOR 150 ONLY
7	B55213000001	1	CAP COMP., FUEL FILLER	
8	90200802500	4	BOLT-WASHER M8*1.25*25	
9	B5706050000	4	COLLAR.TANK COMP.	
10	B5701040000	4	RUBBER MOUNT	
11	92040800003	4	NUT.FLANGE LOCK M8	
12	92220800001	1	CLAMP, BOARD TYPE	
13	B552F0410000	1	GASOLINE HOSE	
14	B5523000000	1	FUEL AUTOCOCK ASSY.	
15	P652A0100001	1	FUEL FILTER	
16	B5526022000	1	GASOLINE HOSE	
17	E1706020000	3	CLIP	
18	92220900001	2	CLAMP, BOARD TYPE	
19	B5706030000	5	BOLT. SPECIAL	
20	B5701050000	5	WASHER.BELT	
21	B5706040000	5	NUT. BELT	
22	B5671020000	2	BELT, SAFETY	
23	B65260200000	1	RUBBER HOSE	
24	B5671010000	2	HEAD-REST	
25	B5671000000	1	SEAT COMP., LH	
26	B567A000000	1	SEAT COMP.,RH	
25	B56710000001	1	SEAT COMP.,RH	<b>FOR RH-seat DRIVER</b>
26	B567A0100001	1	SEAT COMP., LH	<b>FOR RH-seat DRIVER</b>

# F6.REAR CARGO RACK/SEAT/BELT BR50&150



**F 6. REAR CARGO RACK/SEAT/BELT BR50-150**

N°	REF	Q	DESIGNATION	NOTA BENE
27	B5671300000	1	RAIL SET.SEAT	
28	B566C010000	1	TIRN SIGNAL LAMP ASSY(RF,LR)	
29	92141000000	2	PLAIN WASHER	
30	92021000001	2	HEXAGON NUT	
<b>31</b>	<b>92140500014</b>	<b>2</b>	<b>PLAIN WASHER</b>	
<b>32</b>	<b>92020500000</b>	<b>2</b>	<b>HEXAGON NUT</b>	
<b>33</b>	<b>B566D010000</b>	<b>1</b>	<b>TIRN SIGNAL LAMP ASSY(LF,RR)</b>	
34	B5701060000	1	COVER.TUBE	
35	B5421060000	2	TUBE SEAT(32D)	
36	B5701030000	2	R-WASHER	
37	90200805500	2	BOLT-WASHER M8*1.25*55	M8*1.25*55
<b>38</b>	<b>B56762101M0</b>	<b>2</b>	<b>SUPPORTER.REAR CARGO RACK (RED)</b>	
<b>38</b>	<b>B56762103D0</b>	<b>2</b>	<b>SUPPORTER.REAR CARGO RACK (GREEN)</b>	
<b>38</b>	<b>B56762104X0</b>	<b>2</b>	<b>SUPPORTER.REAR CARGO RACK (BLUE)</b>	
39	90200802000	4	BOLT-WASHER M8*1.25*20	
40	92040800003	4	NUT.FLANGE LOCK M8	
41	90020804001	4	BOLT STRAP M8*1.25*40	
42	92040800003	2	NUT.FLANGE LOCK M8	
43	B57012300000	1	TOOL BOX	
44	90020601600	2	HEXAGON BOLT	
45	92040600004	2	HEXAGON FLANGE NUT	
<b>46</b>	<b>P1706541000</b>	<b>1</b>	<b>TOOL KIT</b>	<b>BR50</b>
<b>46</b>	<b>P6706540000</b>	<b>1</b>	<b>TOOL KIT</b>	<b>BR150</b>
47	B5706140000	2	BOLT. SPECIAL	
<b>48</b>	<b>P56669000001</b>	<b>1</b>	<b>TAIL LIGHT</b>	
<b>49</b>	<b>P566F960000</b>	<b>1</b>	<b>BULB.LICENCE LIGHT</b>	
<b>50</b>	<b>90110401200</b>	<b>2</b>	<b>CR PAN HD. TAPPING SCREW( M4*16L )</b>	
<b>51</b>	<b>B57061600000</b>	<b>5</b>	<b>BUSH</b>	

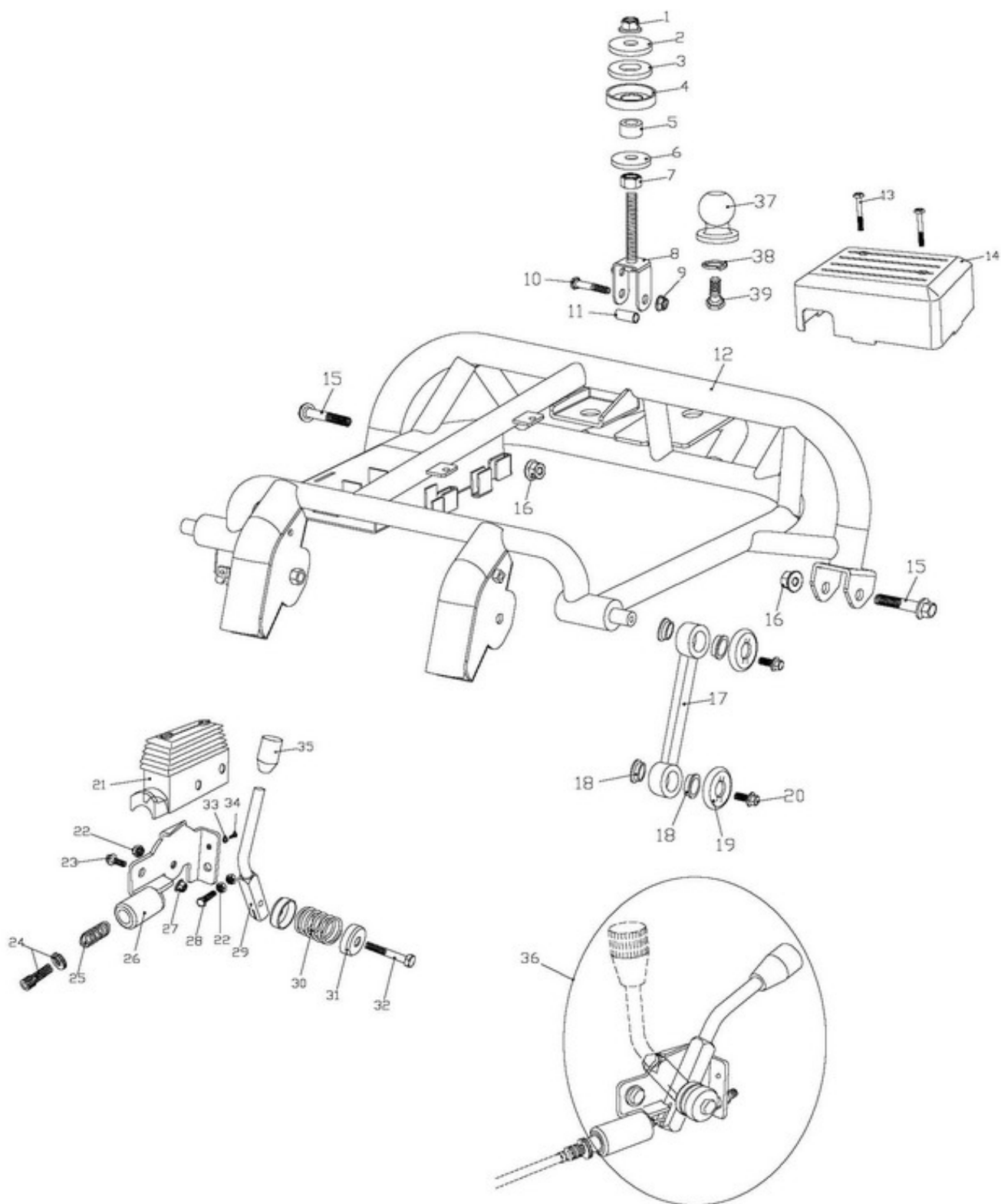


**F 7. REAR SWING ARM ASSY. UPPER BR 50**

N°	REF	Q	DESIGNATION	NOTA BENE
1	B64211000000	2	JOINT, LOWER ARM	
2	92022700001	2	HEXAGON NUT	
3	B64215000000	2	REGULATE BOLT	
4	92022700000	2	HEXAGON NUT	
5	B5483060000	2	CON'ROD	
6	90210801601	4	HEXAGON SCOKET SCREW	
7	B5483080000	4	SPACER.CON'ROD	
8	B5483070000	8	BUSH.CON'ROD	
9	B64830106000	1	REAR SWING ARM ASS'Y., UPPER	
10	90201206000	2	BOLT-WASHER M12*1.25*60	
11	92041200003	2	NUT.FLANGE LOCK M12	
12	90070605500	2	SCREW. PAN M6*55	
13	B5624060000	1	COVER.ELECTAIC ASS'Y	
14	B5451020000	2	COVER.REVERSE LEVER	
15	92400800002	6	NYLON LOCK NUT M8	
16	90200802000	2	BOLT-WASHER M8*1.25*20	
17	B5451050000	2	ADJUSTING.CABLE ROD	
18	B5451080000	2	SPRING.LEVER	
19	B5451010000	2	BRACKET.LEVER	
20	92040800003	2	NUT.FLANGE LOCK M8	
21	90200803001	2	BOLT M8X30	
22	B5451060000	2	LEVER.REVERSE,PARKING BRAKE	
23	B5451070000	2	SPRING.CABLE	
24	B5451090000	4	SPACER.LEVER	
25	90200804000	2	BOLT-WASHER M8*1.25*40	
26	92140500017	2	PLAIN WASHER	
27	90070501200	2	SCREW. PAN M5*12	
28	B545A060600	2	COVER.LEVER.BLACK	
<b>29</b>	<b>B5451000000</b>	<b>2</b>	<b>PARKING BRAKE/REVERSE LEVER ASSY</b>	
30	B5483040000	4	BUSH.SWING ARM	
31	B5483050000	2	COLLAR.SWING ARM	

# F8.REAR SWING ARM ASSY.UPPER

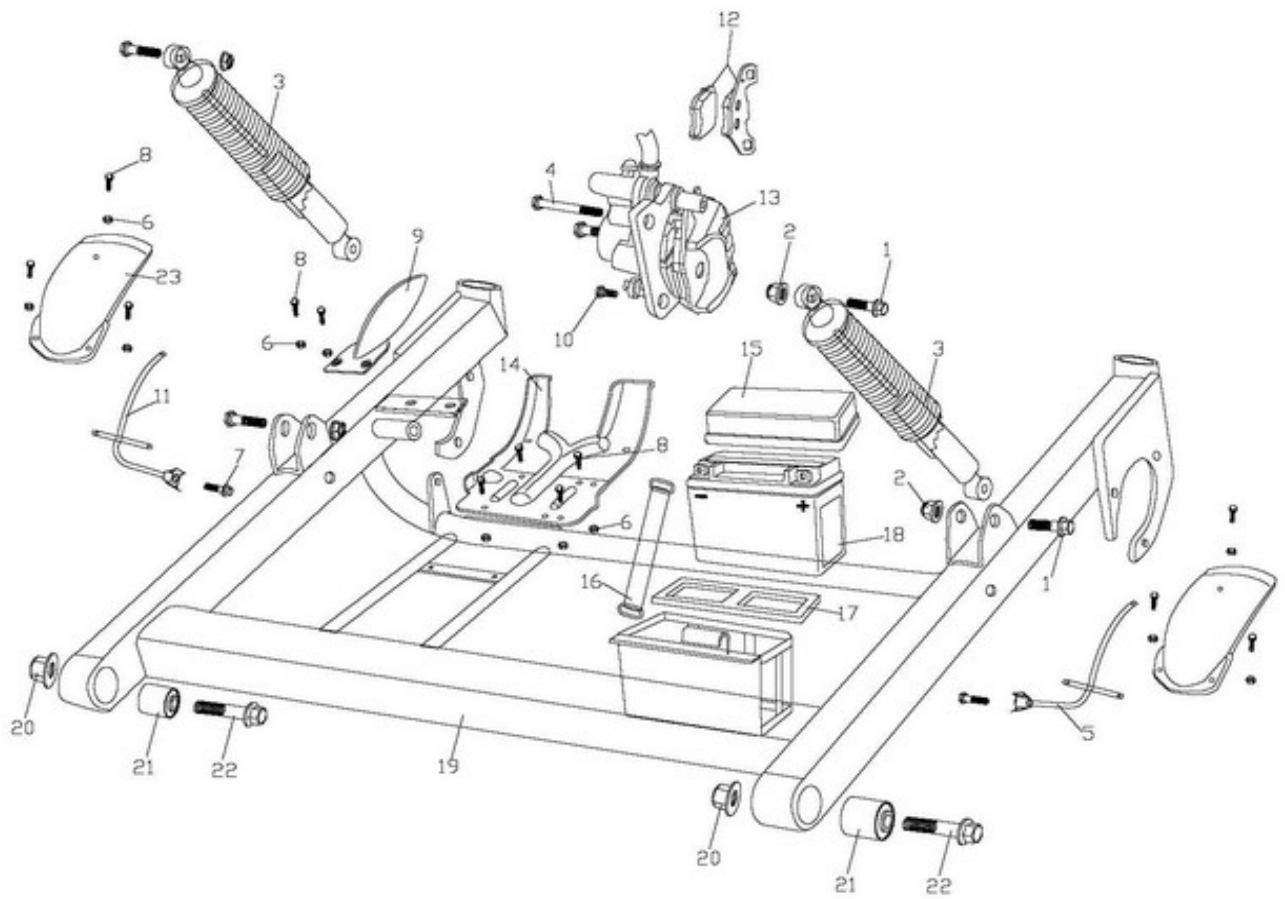
BR150



**F 8. REAR SWING ARM ASSY. UPPER BR 150**

N°	REF	Q	DESIGNATION	NOTA BENE
1	92041200003	1	NUT.FLANGE LOCK M12	
2	B5486020000	1	WASHER.ENGINE MOUNT LINK	
3	B5486030000	1	CUSHION.ENGINE MOUNT LINK	
4	B5486040000	1	SPACER.ENGINE MOUNT LINK	
5	B5486050000	1	COLLAR.ENGINE MOUNT LINK	
6	92141200012	1	WASHER FLAT	
7	92021200001	1	NUT M12	
8	B5486010000	1	ENGINE MOUNT LINK	
9	92041000003	1	NUT.FLANGE LOCK M10	
10	90201004500	1	BOLT-WASHER M10*1.25*45	
11	B54860700001	1	BUSH	
<b>12</b>	<b>B54830136000</b>	<b>1</b>	<b>REAR SWING ARM ASS'Y., UPPER</b>	
13	90070605500	2	SCREW. PAN M6*55	
14	B5624060000	1	COVER.ELECTAIC ASS'Y	
15	90201206000	2	BOLT-WASHER M12*1.25*60	
16	92041200003	2	NUT.FLANGE LOCK M12	
17	B5483060000	2	CON'ROD	
18	B5483070000	8	BUSH.CON'ROD	
19	B5483080000	4	SPACER.CON'ROD	
20	90210801601	4	HEXAGON SCOKET SCREW	
21	B5451020000	2	COVER.REVERSE LEVER	
22	92400800002	6	NYLON LOCK NUT M8	
23	90200802000	2	BOLT-WASHER M8*1.25*20	
24	B5451050000	2	ADJUSTING.CABLE ROD	
25	B5451080000	2	SPRING.LEVER	
26	B5451010000	2	BRACKET.LEVER	
27	92040800003	2	NUT.FLANGE LOCK M8	
28	90200803001	2	BOLT M8X30	
29	B5451060000	2	LEVER.REVERSE,PARKING BRAKE	
30	B5451070000	2	SPRING.CABLE	
31	B5451090000	4	SPACER.LEVER	
32	90200804000	2	BOLT-WASHER M8*1.25*40	
33	92140500017	2	PLAIN WASHER	
34	90070501200	2	SCREW. PAN M5*12	
35	B545A060600	2	COVER.LEVER.BLACK	
<b>36</b>	<b>B5451000000</b>	<b>2</b>	<b>PARKING BRAKE/REVERSE LEVER ASSY</b>	
37	B5676020000	1	TOW BALL	
38	92111800000	1	WASHER. LOCK	
39	90021804000	1	BOLT M18*40	

# F9.REAR SWING ARM BR50

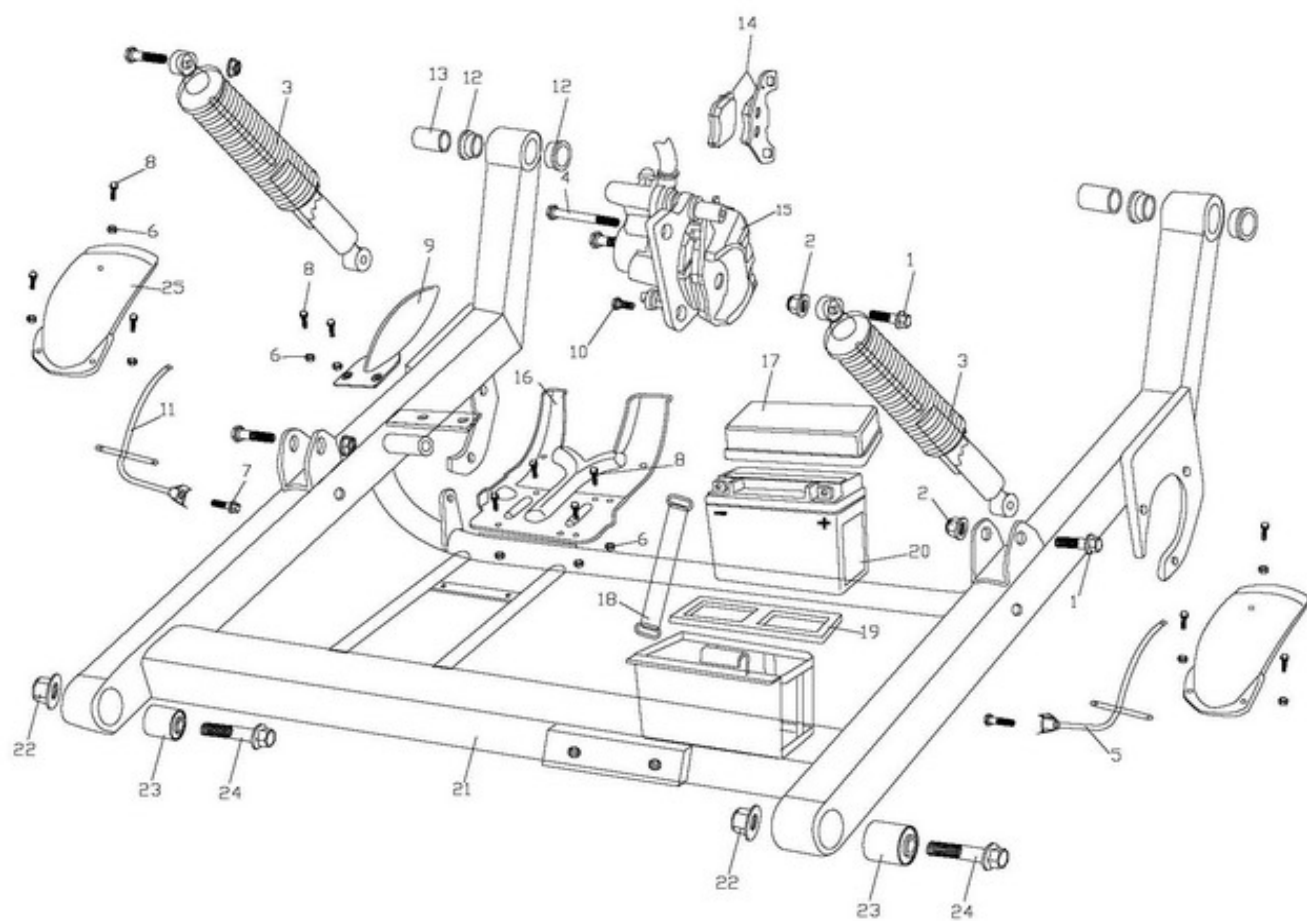




**F 9. REAR SWING ARM BR 50**

N°	REF	Q	DESIGNATION	NOTA BENE
1	90201004000	4	BOLT-WASHER M10*1.25*40	
2	92041000003	4	NUT.FLANGE LOCK M10	
3	B5481000000	2	CUSHION ASSY.RR	
4	90200810000	1	BOLT STRAP M8*1.25*100	
5	B5634020000	1	BRACKET REAR FENDER.L	
6	92400600001	12	NYLON LOCK NUT M6	
7	90200804500	2	BOLT-WASHER M8*1.25*45	
8	90200601600	12	BOLT-WASHER M6*16	
9	B5634010000	1	COVER, DISC.RR	
10	90200801201	1	BOLT STRAP M8*1.25*12	
11	B5634030000	1	BRACKET REAR FENDER, RH	
12	B5407410000	1	PAD SET.RR.BRAKE	
13	B5406600000	1	CALIPER ASS'Y., RR	
14	B5406610000	1	GUARD.CHAIN.DISC	
15	B5624030000	1	COVER.BATTERY	
16	B5583030000	1	BAND, BATTERY	
17	B5583010000	1	CUSHION.BATTERY UNDER	
18	E95830000001	1	BATTERY	
<b>19</b>	<b>B64830000000</b>	<b>1</b>	<b>RR.SWING ARM COMP., UNDER</b>	
20	92041200003	2	NUT.FLANGE LOCK M12	
21	B5701020000	2	CUSHION BUSH.SWING ARM	
22	90201206000	2	BOLT-WASHER M12*1.25*60	
<b>23</b>	<b>B56340000001</b>	<b>2</b>	<b>FENDER, RR</b>	<b>ROUGH SURFACE</b>

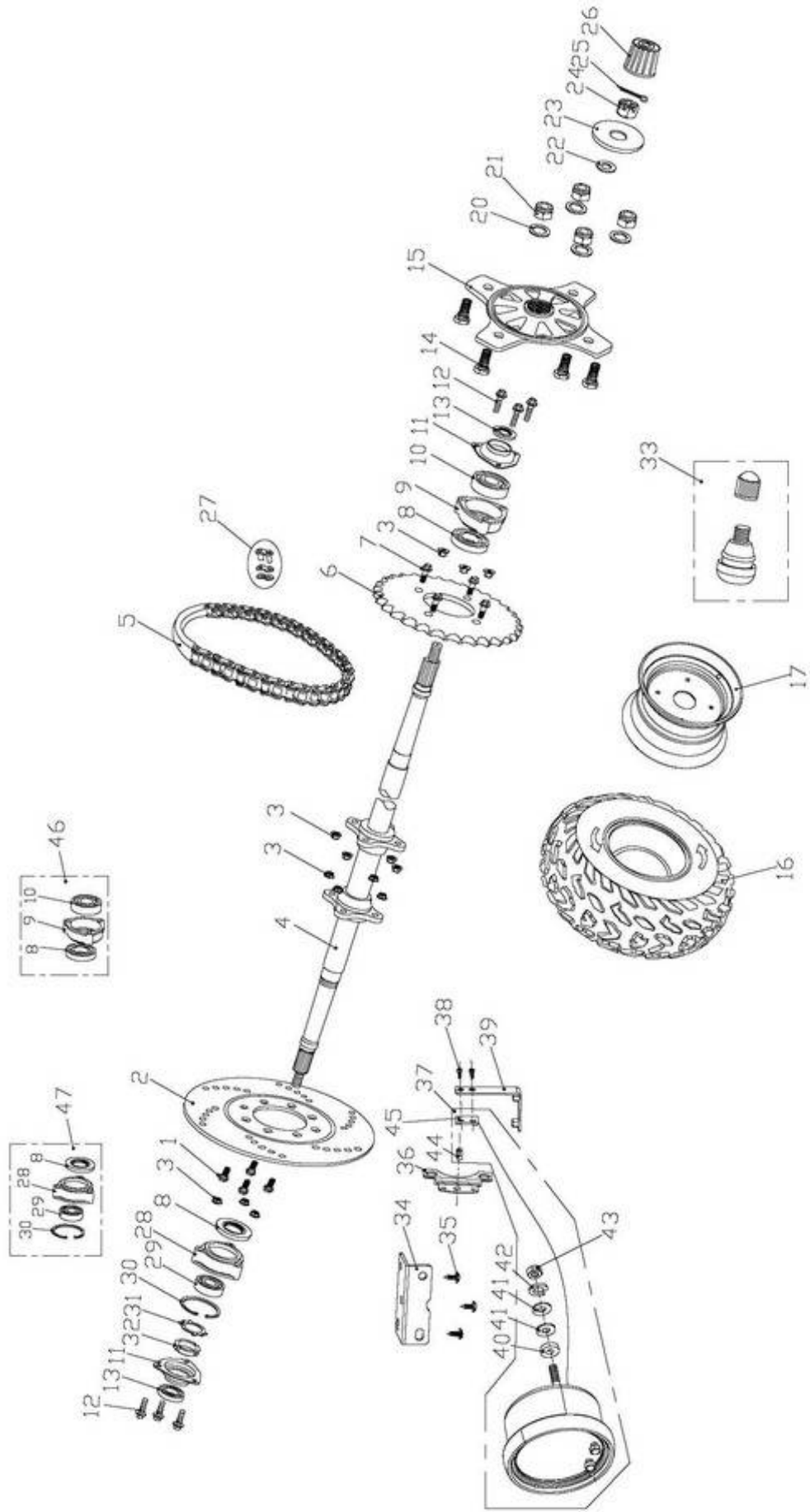
# F10.REAR SWING ARM BR150



**F 10. REAR SWING ARM BR 150**

N°	REF	Q	DESIGNATION	NOTA BENE
1	90201004000	4	BOLT-WASHER M10*1.25*40	
2	92041000003	4	NUT.FLANGE LOCK M10	
3	B5481000000	2	CUSHION ASSY.RR	
4	90200810000	1	BOLT STRAP M8*1.25*100	
5	B5634020000	1	BRACKET REAR FENDER.L	
6	92400600001	12	NYLON LOCK NUT M6	
7	90200804500	2	BOLT-WASHER M8*1.25*45	
8	90200601600	12	BOLT-WASHER M6*16	
9	B5634010000	1	COVER, DISC.RR	
10	90200801201	1	BOLT STRAP M8*1.25*12	
11	B5634030000	1	BRACKET REAR FENDER, RH	
12	B5483040000	4	BUSH.SWING ARM	
13	B5483050000	2	COLLAR.SWING ARM	
14	B5407410000	1	PAD SET.RR.BRAKE	
15	B5406600000	1	CALIPER ASS'Y., RR	
16	B5406610000	1	GUARD.CHAIN.DISC	
17	B5624030000	1	COVER.BATTERY	
18	B5583030000	1	BAND, BATTERY	
19	B5583010000	1	CUSHION.BATTERY UNDER	
20	M2583000000	1	BATTERY	
21	B5483000000	1	RR.SWING ARM COMP., UNDER	
22	92041200003	2	NUT.FLANGE LOCK M12	
23	B5701020000	2	CUSHION BUSH.SWING ARM	
24	90201206000	2	BOLT-WASHER M12*1.25*60	
25	<b>B5634000001</b>	<b>2</b>	<b>FENDER, RR</b>	<b>ROUGH SURFACE</b>

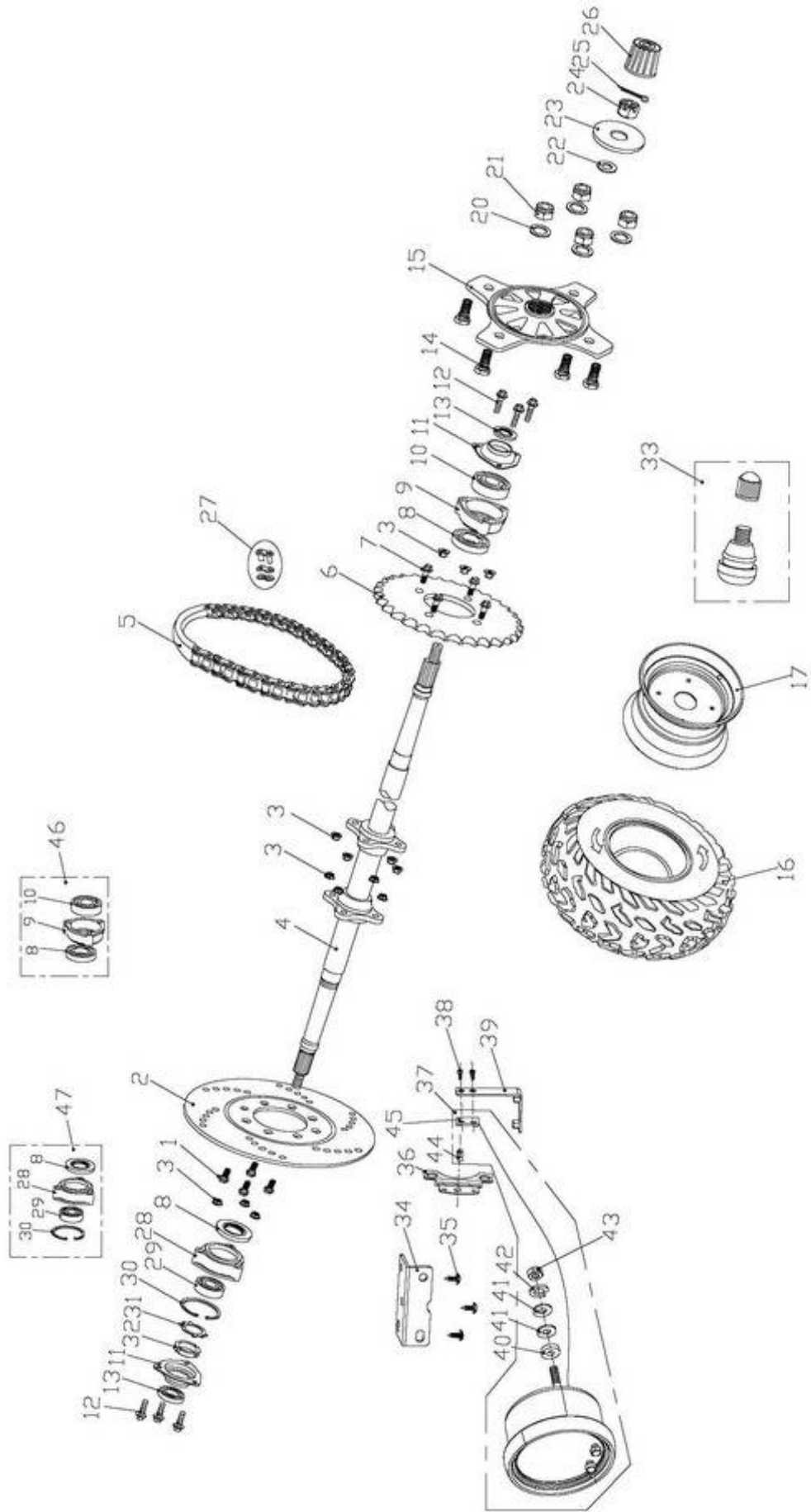
# F11-REAR HOUSEING BR50



F 11. REAR HOUSEING BR 50

N°	REF	Q	DESIGNATION	NOTA BENE
1	90200802200	4	BOLT-WASHER M8*1.25*22	
2	B5406800000	1	DISC.RR.BRAKE	
3	92040800003	14	NUT.FLANGE LOCK M8	
4	B54074300001	1	REAR AXLE	2004.09.13~
5	B64850000000	1	DRIVING CHAIN	52 LINKS
6	B5485020000	1	REAR SPROCKET	
7	90200802700	4	BOLT-WASHER M8*1.25*27	
8	NA	2	DUST SEAL	VOIR N°46=B54075200000
9	NA	1	HOUSING COMP.RR.AXLE BRG	VOIR N°46=B54075200000
10	NA	1	BEARING	VOIR N°46=B54075200000
11	B5407460000	2	BEARING BASE	
12	90200804000	6	BOLT-WASHER M8*1.25*40	
13	B5407170000	2	DUST SEAL 42X30-7	
14	90191003100	8	BOLT. TIRE M10*1.25*31	
15	B54071300001	2	HUB. REAR AXLE(for iron wheel)	for iron wheel
16	<b>B540G3200001</b>	2	<b>TIRE, RR (255/60-10) (ON ROAD)</b>	on road
16	<b>B540G3200002</b>	2	<b>TIRE, RR (off road)</b>	off road
17	B5407140770	2	RIM, RR (SILVER)	iron wheel
20	92141000014	8	WASHER. FLAT	
21	92041000003	8	NUT.FLANGE LOCK M10	
22	B54074800000	2	SPACER.RR.WHEEL	
23	B5407470000	2	HOLDER.RR.COVER	
24	B5407160000	2	NUT. CASTLE M16	
25	93520403000	2	PIN.COTTER 4*30	
26	B54013100001	2	<b>COVER HUB</b>	for iron wheel
27	B5485030000	1	MASTER LINK, CHAIN	
28	NA	1	HOUSING COMP.RR.AXLE BRG	VOIR N° 47=B54075300000 - 2004.09.13~
29	NA	1	BEARING	VOIR N° 47=B54075300000
30	NA	1	RETAINING RING C TYPE	VOIR N° 47=B54075300000 - 2004.09.13~
31	B5407500000	1	WASHER, BEARING	2004.09.13~
32	B5407510000	1	NUT, BEARING	2004.09.13~
33	X040B330000	2	VALVE, TIRE	for iron wheel
34	B5706120000	1	FIXED PLATE, SPEEDOMETER	
35	90130501400	3	CR ROUND HD TAPPING M5*14L	
36	X0561062000	1	FIXED PLATE 2, SENSOR	
37	B55610000004	1	<b>SPEEDOMETER ASSY.</b>	
38	90050301000	2	C-R MACHINE TRUSS HD, TAPPING SCREW	
39	B54212620000	1	FIXED PLATE, SENSOR	2005.04.08~
40	B556A040000	2	RUBBER SPACER	

# F11-REAR HOUSEING BR50

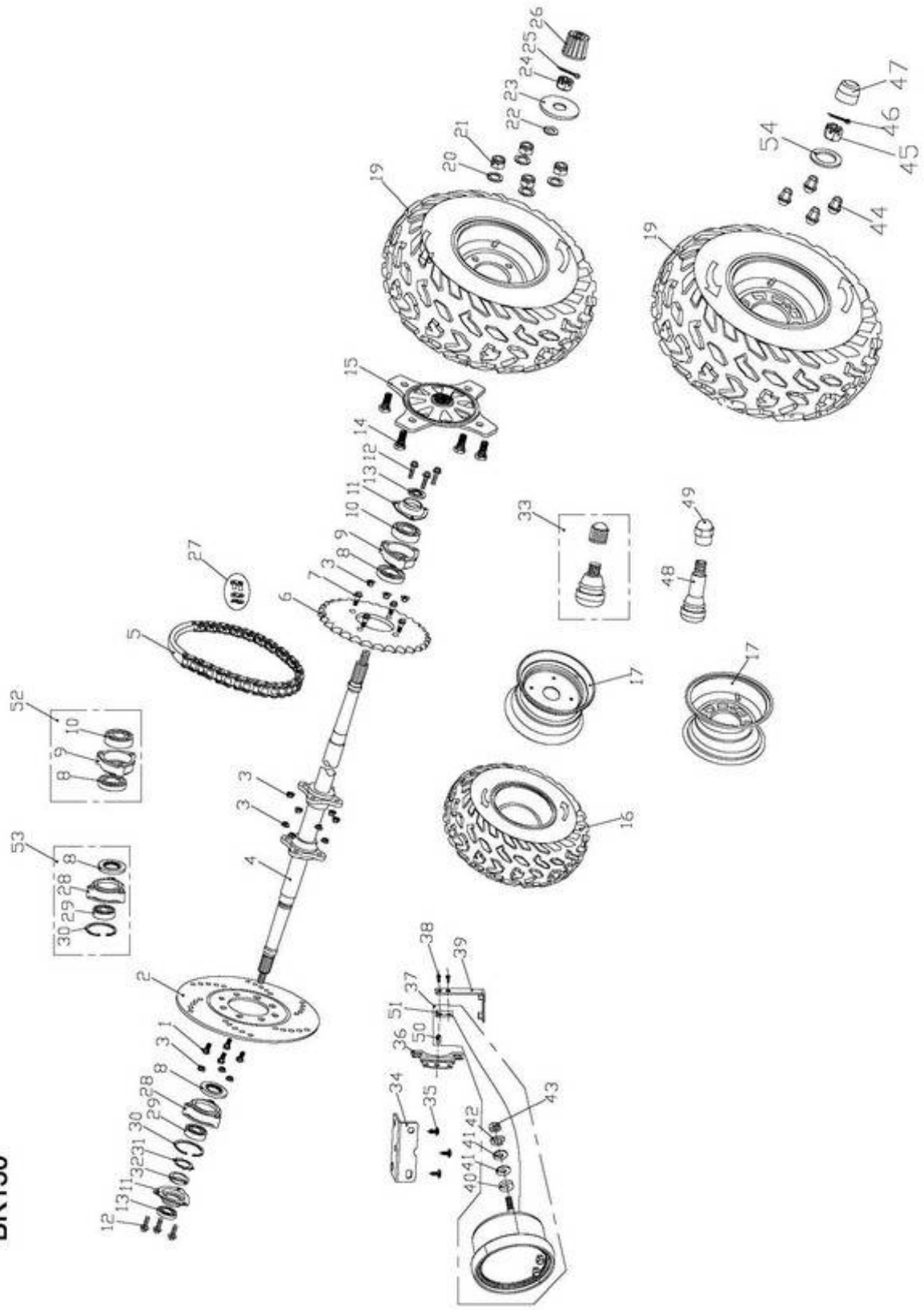


F 11. REAR HOUSEING BR 50

41	B556A050000	4	WASHER	
42	B556A060000	2	SPRING WASHER	
43	B556A070000	2	NUT(M5)	
44	B556A030000	1	MAGNET. SENSOR	
45	B556A020000	1	SENSOR	
46	<b>B54075200000</b>	1	<b>HOUSING RR.AXLE BRG ASSY.,LH</b>	=N°8+9+10
47	<b>B54075300000</b>	1	<b>HOUSING RR.AXLE BRG ASSY.,RH</b>	=N°8+28+29+30

# F12.REAR HOUSEING

BR150



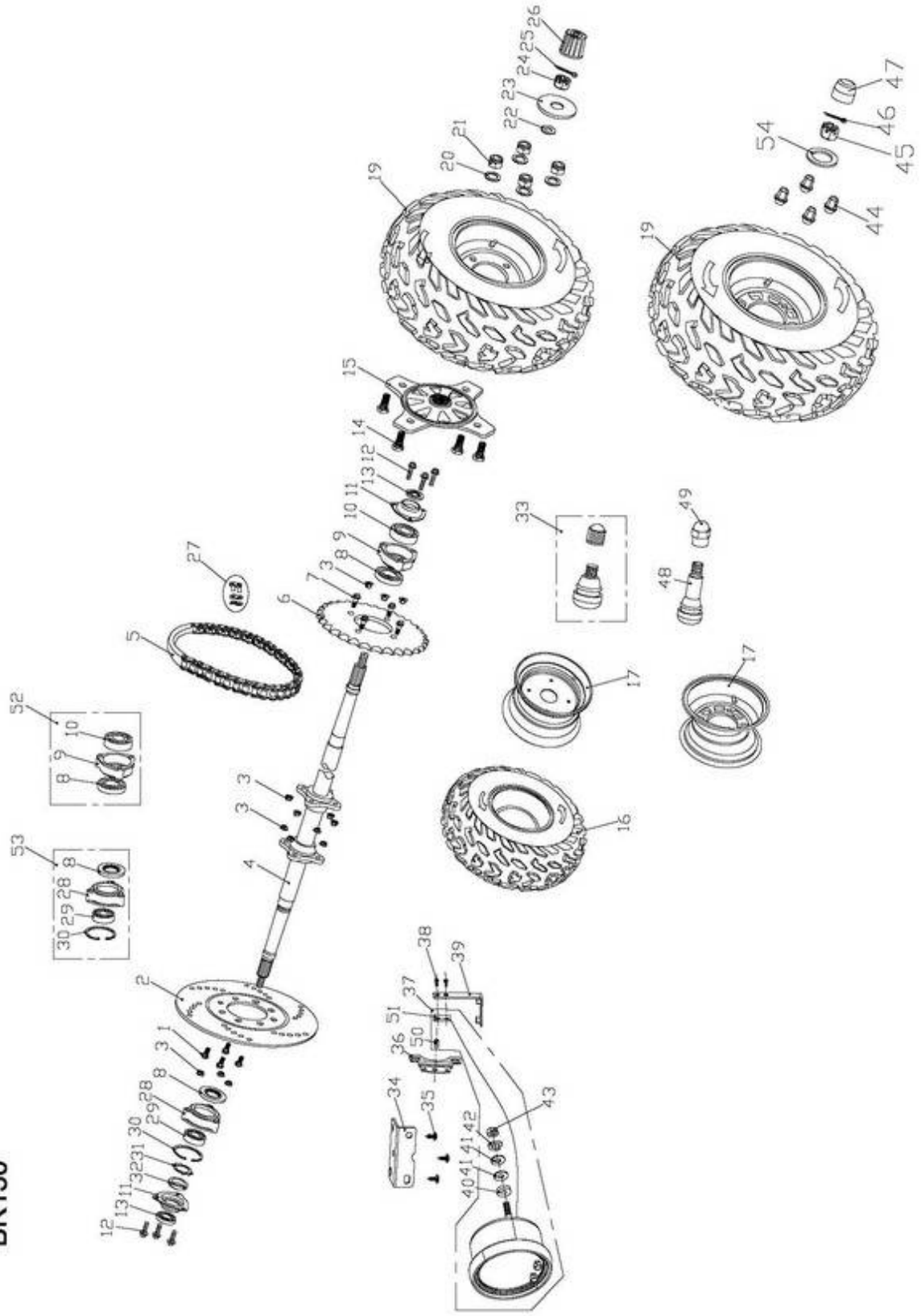


F 12. REAR HOUSEING BR 150

N°	REF	Q	DESIGNATION	NOTA BENE
1	90200802200	4	BOLT-WASHER M8*1.25*22	
2	B5406800000	1	DISC.RR.BRAKE	
3	92040800003	14	NUT.FLANGE LOCK M8	
4	B54074300001	1	REAR AXLE	RFVBRUC5241002250~
5	B5485000000	1	DRIVING CHAIN	50 LINKS
6	B5485020000	1	REAR SPROCKET	
7	90200802700	4	BOLT-WASHER M8*1.25*27	
8	NA	2	DUST SEAL	VOIR N° 52=B54075200000
9	NA	1	HOUSING COMP.RR.AXLE BRG	VOIR N° 52=B54075200000
10	NA	1	BEARING	VOIR N° 52=B54075200000
11	B5407460000	2	BEARING BASE	
12	90200804000	6	BOLT-WASHER M8*1.25*40	
13	B5407170000	2	DUST SEAL 42X30-7	
14	90191003100	8	BOLT. TIRE M10*1.25*31	
15	<b>B54071300001</b>	2	HUB. REAR AXLE(for iron wheel)	for iron wheel
15	<b>B54071300002</b>	2	HUB.REAR AXLE(for AL wheel)	for AL wheel
16	<b>B540G3200001</b>	2	<b>TIRE, RR (255/60-10) (ON ROAD)</b>	on road
16	<b>B540G3200002</b>	2	<b>TIRE, RR (off road)</b>	off road
17	<b>B5407140770</b>	2	<b>RIM, RR (SILVER)</b>	iron wheel
17	B54071400001	2	REAR WHEEL RIM (AL RIM)	AL rim,
17	B54071400002	2	REAR WHEEL RIM (AL RIM)	AL rim polishing
20	92141000014	8	WASHER. FLAT	for iron wheel
21	92041000003	8	NUT.FLANGE LOCK M10	for iron wheel
22	B5407480000	2	SPACER.RR.WHEEL	for iron wheel
23	B5407470000	2	HOLDER.RR.COVER	for iron wheel
24	B5407160000	2	NUT. CASTLE M16	
25	93520403000	2	PIN.COTTER 4*30	
26	<b>B54013100001</b>	2	<b>COVER HUB</b>	for iron wheel
27	B5485030000	1	MASTER LINK, CHAIN	
28	NA	1	HOUSING COMP.RR.AXLE BRG	VOIR N° 53=B54075300000 - RFVBRUC5241002250~
29	NA	1	BEARING	VOIR N° 53=B54075300000
30	NA	1	RETAINING RING C TYPE	VOIR N° 53=B54075300000 - RFVBRUC5241002250~
31	B5407500000	1	WASHER, BEARING	RFVBRUC5241002250~
32	B5407510000	1	NUT, BEARING	RFVBRUC5241002250~
33	X040B330000	2	VALVE, TIRE	for iron wheel
34	B5706120000	1	FIXED PLATE, SPEEDOMETER	
35	90130501400	3	CR ROUND HD TAPPING M5*14L	
36	X0561062000	1	FIXED PLATE 2, SENSOR	
37	B5561000000	1	<b>SPEEDOMETER ASSY.</b>	

# F12.REAR HOUSEING

BR150

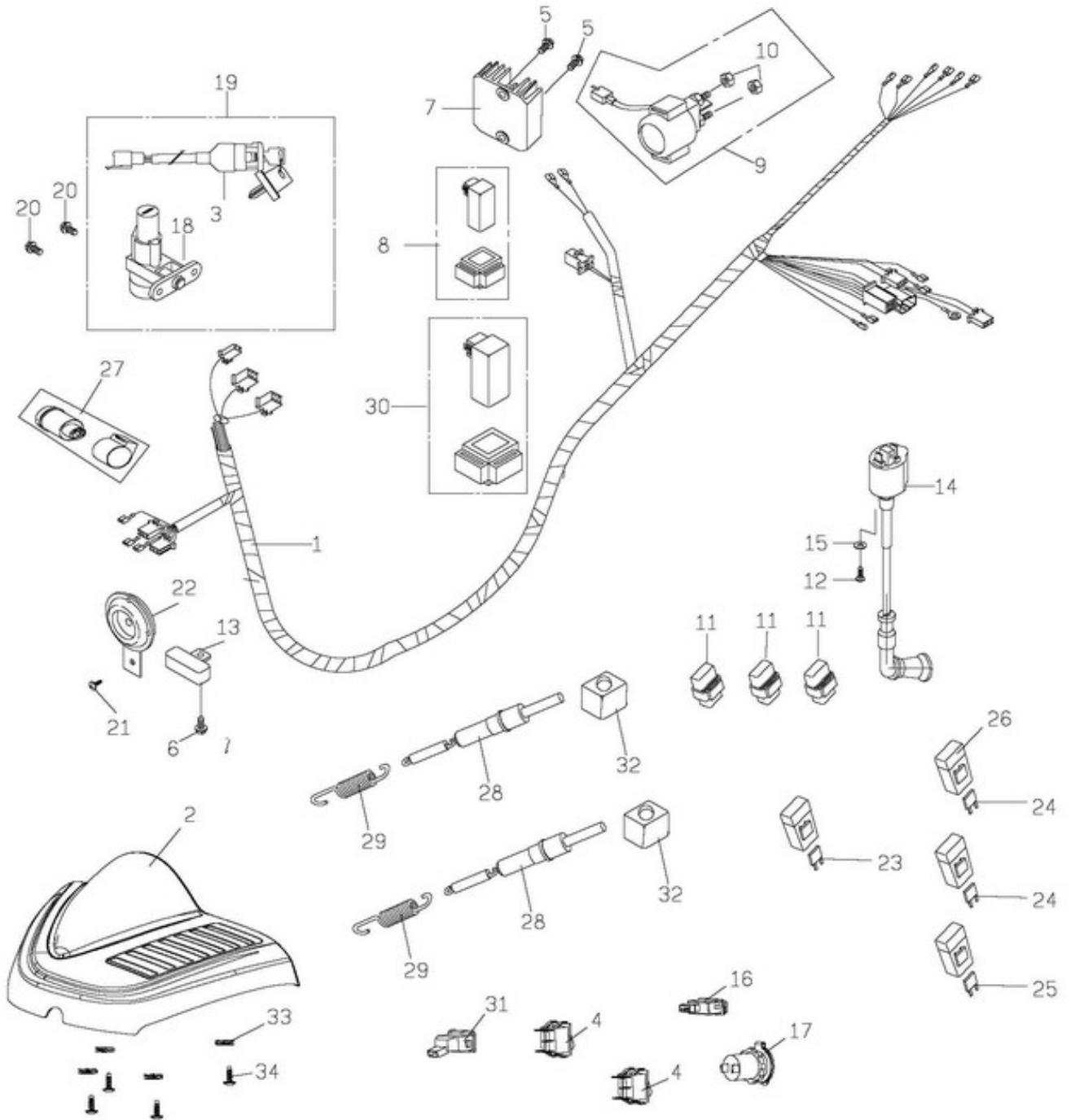


F 12. REAR HOUSEING BR 150

N°	REF	Q	DESIGNATION	NOTA BENE
38	90050301000	2	C-R MACHINE TRUSS HD, TAPPING SCREW	
39	B54212620000	1	FIXED PLATE, SENSOR	RFVBRUC5241000024~
40	B556A040000	2	RUBBER SPACER	
41	B556A050000	4	WASHER	
42	B556A060000	2	SPRING WASHER	
43	B556A070000	2	NUT(M5)	
44	92051000002	8	HEXAGON CAP NUT	for AL wheel
45	B5407160000	2	NUT. CASTLE M16	for AL wheel
46	93520403000	2	COTTER PIN	for AL wheel
47	B54071500001	2	COVER HUB (FOR AL RIM)	for AL wheel
48	B77010600000	2	VALVE, TIRE	for AL wheel
49	B77015300000	2	VALVE, TIRE CAP	for AL wheel
50	B556A030000	1	MAGNET. SENSOR	95,05,03
51	B556A020000	1	SENSOR	95,05,03
52	B54075200000	1	HOUSING RR.AXLE BRG ASSY.,LH	=N° 8+9+10
53	B54075300000	1	HOUSING RR.AXLE BRG ASSY.,RH	=N° 8+28+29+30
54	92141400012	2	WASHER. FLAT	

# F13.WIRE HARNESS/ELECTRICAL

BR-50

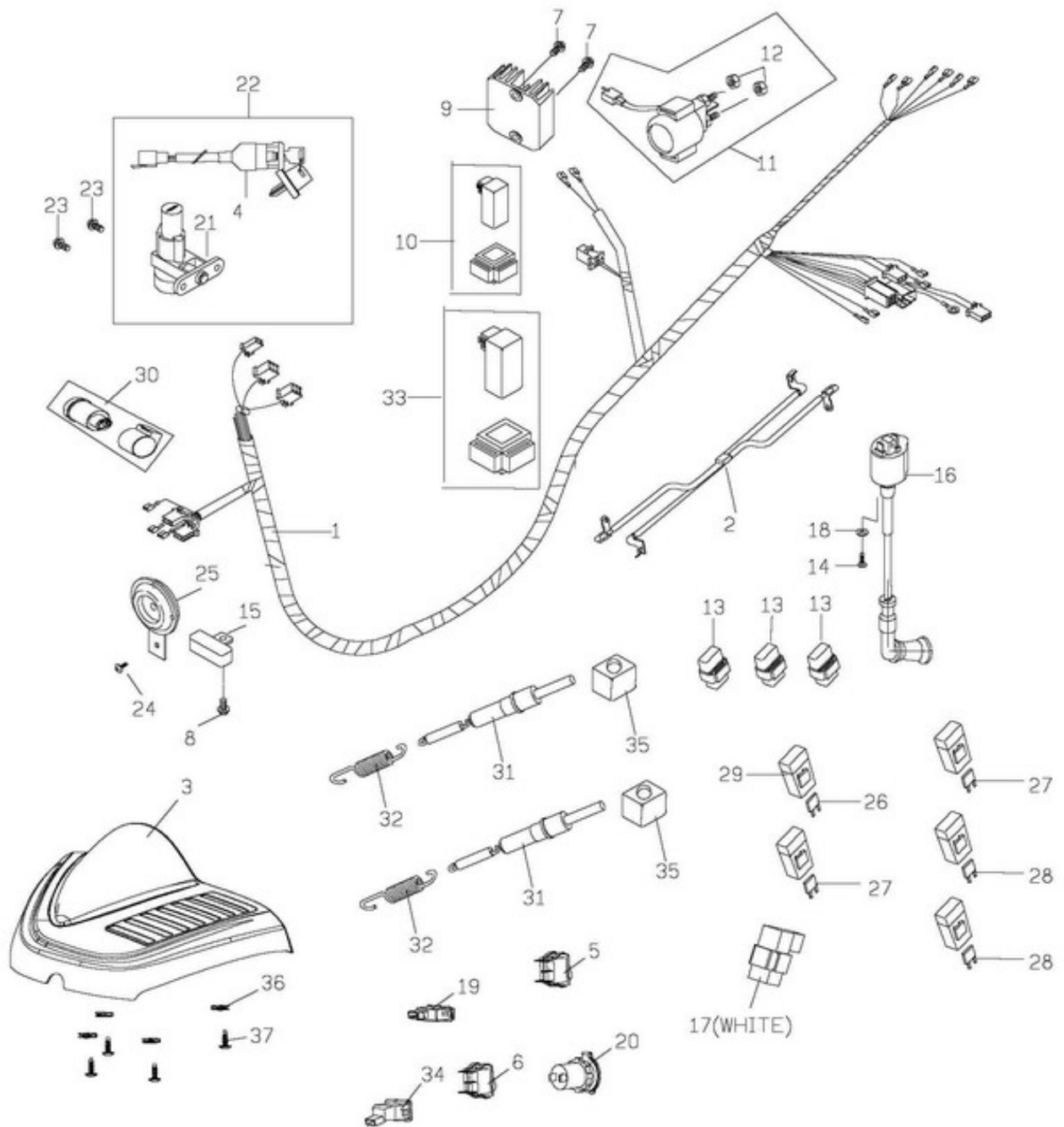


**F 13. WIRE HARNESS / ELECTRICAL BR 50**

N°	REF	Q	DESIGNATION	NOTA BENE
1	<b>B65816010000</b>	1	<b>WIRE HARNESS. (used with item #37)</b>	<b>BR50</b>
2	<b>B5613010650</b>	1	<b>SPEEDOMETER COVER(black)</b>	<b>LEFT-SEAT DRIVER</b>
2	<b>B56130106501</b>	1	<b>SPEEDOMETER COVER(black)</b>	<b>RIGHT-SEAT DRIVER</b>
3	B65520000000	1	IGNITION SWITCH	2005.10.21 FOR BR&BG
4	B5582610000	2	PARKING BUTTON	<b>1FOR HEAD LAMP SWITCH</b>
5	90190602000	2	HEXAGON FLANGE BOLT	
6	90190601200	1	HEXAGON FLANGE BOLT (M6*12L)	
7	<b>C1584000000</b>	1	<b>RECTIFIER COMP.REGULATE</b>	<b>BR50</b>
8	<b>P5582000000</b>	1	<b>UNIT COMP.,C.D.I</b>	<b>BR50</b>
9	<b>P9581000000</b>	1	<b>STARTING RELAY</b>	<b>BR50</b>
10	92030600004	2	HEXAGON NUT	
11	ES581200000	3	RELAY	
12	90070502000	1	C-R MACHINE TRUSS HD, TAPPING SCREW	
13	P15866000002	1	RESISTOR COMP.	
14	<b>B65846000000</b>	1	<b>IGNITION COIL ASSY</b>	<b>BR50</b>
15	92110500000	1	SPRING LOCK WASHER	
16	B5545030000	1	HORN BUTTON	
17	B5583040000	1	12V POWER SUPPLY	
18	B5553000000	1	BURGLARPROOF LOCK COMP.	
19	B65510000000	1	LOCK COMP.	2005.10.21 FOR BR&BG
20	90260601001	2	HEAD INNER BOLT	
21	90190601200	1	HEXAGON FLANGE BOLT (M6*12L)	
22	B5583600000	1	HORN.	
23	98701205000	1	FUSE 5A	
24	98701210000	2	FUSE 10A	
25	98701215000	1	FUSE 15A	
26	98701200000	4	FUSE BOX	included in #1
27	P2586011000	1	SIGNAL FLASHER	
28	B5581620000	2	SAFETY SWITCH,REVERSE GEAR	
29	B5451101000	2	SPRING	
30	C1581300000	1	BACK PROTECTION EQUIPMENT	
31	B5545020000	1	SIGNAL SWITCH	
32	B5301110000	2	COVER, SENSOR	
33	92370500003	4	U TYPE SPRING NUT(M5)	
34	90150501600	4	CR TRUSS HD TAPPING SCREW	(M5*16L)

# F14.WIRE HARNESS/ELECTRICAL

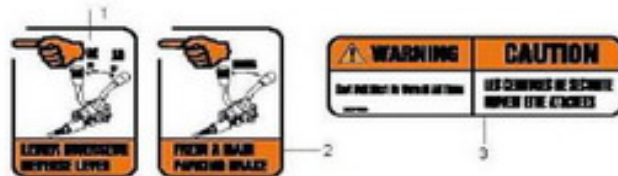
BR-150



**F 14. WIRE HARNESS / ELECTRICAL BR 150**

N°	REF	Q	DESIGNATION	NOTA BENE
1	<b>B55816010002</b>	1	<b>WIRE HARNESS. (used with item #37)</b>	<b>BR150</b>
1	<b>B5581603000</b>	1	<b>WIRE HARNESS. (BUGXTER 150)</b>	<b>BUGXTER ONLY - RFVBR2C5251001012</b>
2	B5583021000	1	BATTERY (+,-) LINE COMP	BR150 ONLY
3	<b>B5613010650</b>	1	<b>SPEEDOMETER COVER(black)</b>	<b>LEFT-SEAT DRIVER</b>
3	<b>B56130106501</b>	1	<b>SPEEDOMETER COVER(black)</b>	<b>RIGHT-SEAT DRIVER</b>
4	B65520000000	1	IGNITION SWITCH	2005.10.21 FOR BR&BG
5	B5582610000	1	PARKING BUTTON	<b>BR150</b>
6	B5545010000	1	HEADLAMP SWITCH	<b>BR150</b>
7	90190602000	2	HEXAGON FLANGE BOLT	
8	90190601200	1	HEXAGON FLANGE BOLT (M6*12L)	
9	<b>ES584000000</b>	1	<b>RECTIFIER COMP.REGULATE</b>	<b>BR150</b>
10	<b>C1582001000</b>	1	<b>CDI UNIT COMP</b>	<b>BR150</b>
11	<b>C1581001000</b>	1	<b>STARTER RELAY AND SUPPORTOR</b>	<b>BR150</b>
12	92030600004	2	HEXAGON NUT	
13	ES581200000	3	RELAY	
14	90070502000	1	C-R MACHINE TRUSS HD, TAPPING SCREW	
15	P15866000002	1	RESISTOR COMP.	
16	<b>B5584600000</b>	1	<b>COIL COMP.IGNITION ASSY.</b>	<b>BR150</b>
17	<b>C15825010000</b>	1	<b>HEAD LIGHT CONTROLLER</b>	<b>BR150 ONLY</b>
18	92110500000	1	SPRING LOCK WASHER	
19	B5545030000	1	HORN BUTTON	
20	B5583040000	1	12V POWER SUPPLY	
21	B5553000000	1	BURGLARPROOF LOCK COMP.	
22	B65510000000	1	LOCK COMP.	2005.10.21 FOR BR&BG
23	90260601001	2	HEAD INNER BOLT	
24	90190601200	1	HEXAGON FLANGE BOLT (M6*12L)	
25	B5583600000	1	HORN.	
26	98701205000	1	FUSE 5A	
27	98701210000	2	FUSE 10A	
28	98701215000	2	FUSE 15A	
29	98701200000	5	CASE, FUSE	included in #1
30	P2586011000	1	SIGNAL FLASHER	
31	B5581620000	2	SAFETY SWITCH,REVERSE GEAR	
32	B5451101000	2	SPRING	
33	C1581300000	1	BACK PROTECTION EQUIPMENT	
34	B5545020000	1	SIGNAL SWITCH	
35	B5301110000	2	CAP, SAFETY SENSOR	
36	92370500003	4	U TYPE SPRING NUT(M5)	
37	90150501600	4	CR TRUSS HD TAPPING SCREW	(M5*16L)

## F15. BR-50 LABELS



PGO 9

PGO 10

PGO 11



BR-50 13

BUG Rider 14

PGO 15



**F 15. WARNING LABELS BR 50**

N°	REF	Q	DESIGNATION	NOTA BENE
1	B56031010000	1	LABEL.REVERSE LEVER	BR50&150
2	B56030210000	1	LABEL.PARKING BRAKE	BR50&150
3	B56031610000	1	LABEL.SEAT BELT	BR50&150
4	B56031210000	1	LABEL.NO LONG HAIR	BR50&150
5	B56031310000	1	LABEL.WARNING	BR50&150
6	B56031410000	1	LABEL.NO CLIMBING	BR50&150
7	B56031910000	1	LABEL.WARNING GEAR SHIFTING	BR50&150
8	B56031510000	1	LABEL.WARNING	BR50&150
9	X2601120000	1	silver PGO sticker for tank	silver PGO for tank
9	M2601020000	1	black PGO for tank	black PGO for tank
10	C1601580000	1	"PGO" STICKER, LH WINDSHIELD	
11	C1601590000	1	"PGO" STICKER, RH WINDSHIELD	
12	B66010100000	1	START FACEPLATE LABEL	BR50
13	B66010200000	2	BR-50 LABEL	BR50
14	B56012000000	2	LABEL. ASSY	BR50
15	B66010400000	1	PGO LABEL	BLACK PGO
16	B76030200000	1	WARNING LABEL,GEARBOX	

## F16. BR-150 LABELS



**F 16. WARNING LABELS BR 150**

N°	REF	Q	DESIGNATION	NOTA BENE
1	B56031010000	1	LABEL.REVERSE LEVER	BR50&150
2	B56030210000	1	LABEL.PARKING BRAKE	BR50&150
3	B56031610000	1	LABEL.SEAT BELT	BR50&150
4	B56031210000	1	LABEL.NO LONG HAIR	BR50&150
5	B56031310000	1	LABEL.WARNING	BR50&150
6	B56031410000	1	LABEL.NO CLIMBING	BR50&150
7	B56031910000	1	LABEL.WARNING GEAR SHIFTING	BR50&150
8	B56031510000	1	LABEL.WARNING	BR50&150
9	<b>B56011900000</b>	1	<b>START FACEPLATE LABEL</b>	<b>LEFT-SEAT DRIVER</b>
9	<b>B56012200000</b>	1	<b>START FACEPLATE LABEL</b>	<b>RIGHT-SEAT DRIVER</b>
10	B56012000000	2	LABEL. ASSY	
11	B56012100000	2	BR-150 LABEL	
12	B66010400000	1	PGO LABEL	BLACK PGO
13	<b>B76010200000</b>	1	<b>RUH veneer board label(black)</b>	<b>black</b>
13	<b>B76010200001</b>	1	<b>RUH veneer board label(silver)</b>	<b>silver</b>
14	<b>B76010300000</b>	1	<b>LUH veneer board label(black)</b>	<b>black</b>
14	<b>B76010300001</b>	1	<b>LUH veneer board label(silver)</b>	<b>silver</b>
15	<b>B76010400000</b>	1	<b>RDH veneer board label(black)</b>	<b>black</b>
15	<b>B76010400001</b>	1	<b>RDH veneer board label(silver)</b>	<b>silver</b>
16	<b>B76010500000</b>	1	<b>LDH veneer board label (black)</b>	<b>black</b>
16	<b>B76010500001</b>	1	<b>LDH veneer board label (silver)</b>	<b>silver</b>
17	<b>B76010600000</b>	1	<b>R headlight veneer board label(black)</b>	<b>black</b>
17	<b>B76010600001</b>	1	<b>R headlight veneer board label (silver)</b>	<b>silver</b>
18	<b>B76010700000</b>	1	<b>L headlight veneer board label (black)</b>	<b>black</b>
18	<b>B76010700001</b>	1	<b>L headlight veneer board label (silver)</b>	<b>silver</b>
19	C1601580000	1	"PGO" STICKER, LH WINDSHIELD	
20	C1601590000	1	"PGO" STICKER, RH WINDSHIELD	
21	X2601120000	1	silver PGO sticker for tank	silver PGO for tank
21	M2601020000	1	black PGO for tank	black PGO for tank
22	B76030200000	1	WARNING LABEL,GEARBOX	
23	B76030700000	1	16-YEAR LIMIT STICKER	UK USE ONLY
24	B76010800000	1	BRAND MARK LABEL	UK USE ONLY